

Sheepyløve HappySheep Build Doc

Updated: 2026-05-08

It's woolly, it's greasy, it's Sheepyløve.

Disclaimer: All trademarks and registered trademarks are the property of their respective owners. The company, product, and service names used in this document are for comparative purposes only. Use of these names, logos, and brands does not imply affiliation nor endorsement.

Sounds like Kardian Serotonin

Copyright: Sheepyløve.com 2026-05-08

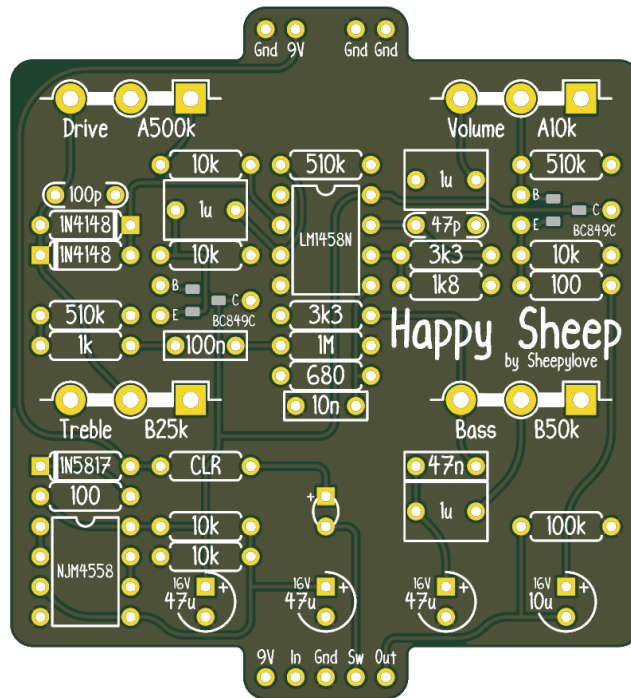
Bill of Materials

Reference	Value	Quantity	Notes
C3	100n	1	
C4	10n	1	
C5,C7,C11	1u	3	
C8	47p	1	
C9	10u	1	
C10	100p	1	
C12	47n	1	
C15-C17	47u	3	
D1,D2	1N4148	2	
D3	LED	1	
D4	1N5817	1	
Q1,Q2	BC849C	2	BC549/550/849/850 are equivalent
R1,R2,R6	510k	3	
R3	1k	1	
R4	1M	1	
R5	680	1	
R7,R9,R14,R17,R18	10k	5	
R8,R16	100	2	
R10	100k	1	
R11,R13	3k3	2	
R12	1k8	1	
R15	CLR	1	
RV1	B25k	1	
RV2	A10k	1	
RV3	B50k	1	
RV4	A500k	1	
U1	LM1458N	1	
U2	NJM4558	1	

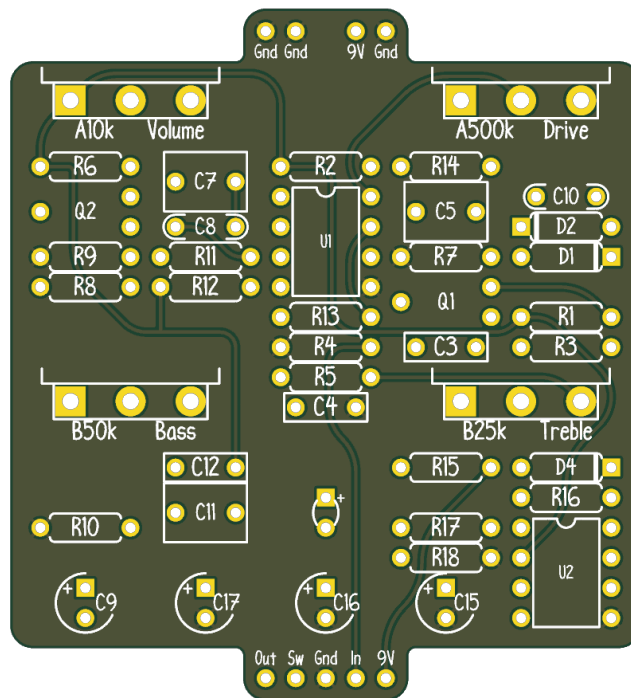
Copyright: Sheepllove.com 2026-05-08

PCB Images

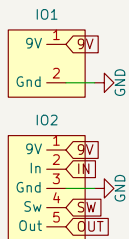
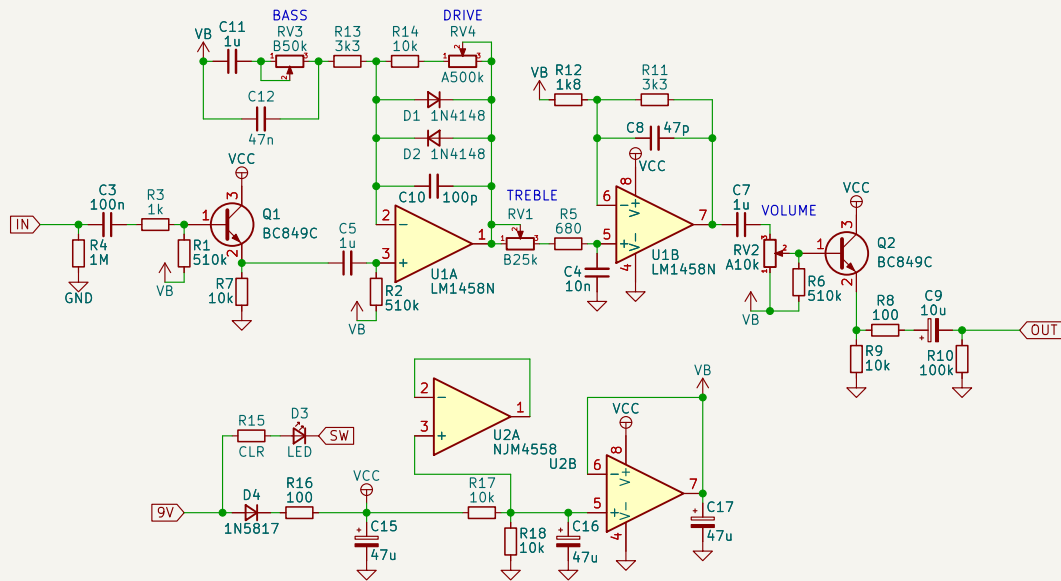
Top View



Bottom View



Copyright: Sheepylove.com 2026-05-08



Sheet: /
 File: HappySheep.kicad_sch

Title:

Size: A4 Date:

KiCad E.D.A. 10.0.1

Rev:
 Id: 1/1