

Sheepyllove Smeppy Build Doc

Updated: 2026-05-02

It's woolly, it's greasy, it's Sheepyllove.

Disclaimer: All trademarks and registered trademarks are the property of their respective owners. The company, product, and service names used in this document are for comparative purposes only. Use of these names, logos, and brands does not imply affiliation nor endorsement.

Sounds like YOS Smoggy Overdrive

Copyright: Sheepyllove.com 2026-05-02

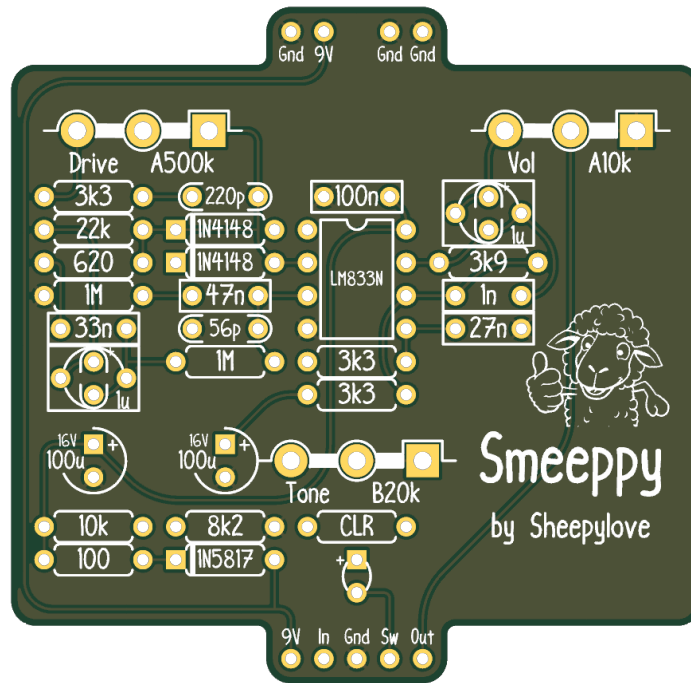
Bill of Materials

Reference	Value	Quantity	Notes
C1	47n	1	
C2	56p	1	
C3	220p	1	
C4,C8	1u	2	
C5	33n	1	
C6	27n	1	
C7	1n	1	
C9	100n	1	
C10,C11	100u	2	
D1,D2	1N4148	2	
D3	1N5817	1	
D4	LED	1	
R1,R2	1M	2	
R3,R6,R8	3k3	3	
R4	22k	1	
R5	620	1	
R7	3k9	1	
R9	100	1	
R10	10k	1	
R11	8k2	1	
R12	CLR	1	
RV1	A500k	1	
RV2	B20k	1	
RV3	A10k	1	
U1	LM833N	1	Any dual op-amp IC..

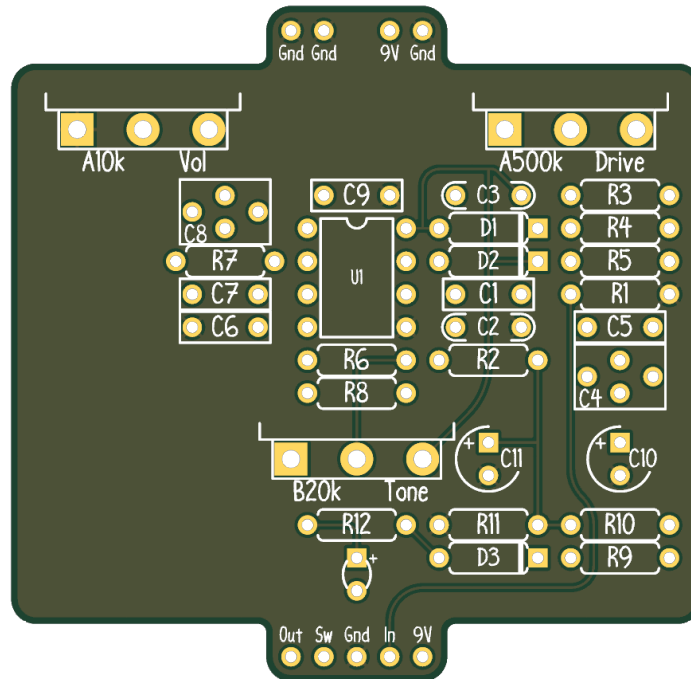
Copyright: Sheepllove.com 2026-05-02

PCB Images

Top View



Bottom View



Copyright: Sheepllove.com 2026-05-02

