

# Sheepylove The Dao Build Doc

Updated: 2026-04-05

It's woolly, it's greasy, it's Sheepylove.

**Disclaimer:** All trademarks and registered trademarks are the property of their respective owners. The company, product, and service names used in this document are for comparative purposes only. Use of these names, logos, and brands does not imply affiliation nor endorsement.

## Sounds like Hermida Audio Zendrive

Released in 2004, it's YATS but now with MOSFET clipping! Sounds pretty cool though.

Copyright: Sheepylove.com 2026-04-05

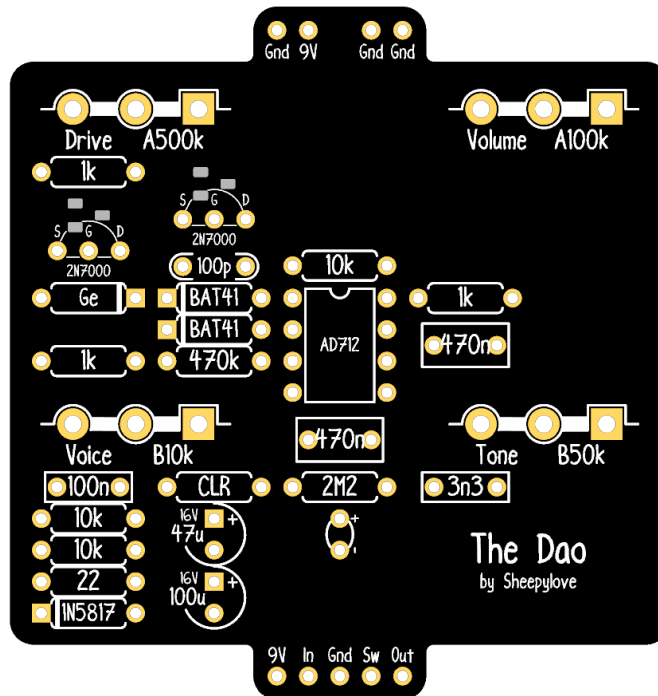
## Bill of Materials

Reference	Value	Quantity	Notes
C1	100u	1	
C2	47u	1	
C3,C7	470n	2	
C4	100p	1	
C5	100n	1	
C6	3n3	1	
D1	1N5817	1	
D2	LED	1	
D3,D5	BAT41	2	
D4	Ge	1	1N34A, but any Ge will do. BAT41 in some models
IC1	AD712	1	Any old op-amp, try your pick.
POT1	A100k	1	B100k for original
POT2	A500k	1	B500k for original
POT3	B50k	1	
POT4	B10k	1	
Q1,Q2	2N7000	2	2N7002 for SMD
R1	CLR	1	
R2	22	1	
R3,R4,R9	10k	3	
R5	2M2	1	
R6	470k	1	
R7,R8,R10	1k	3	

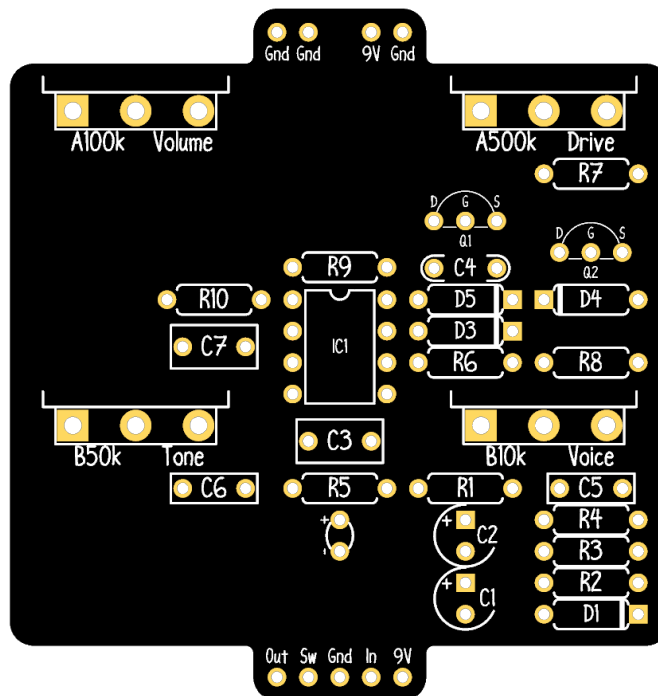
Copyright: Sheepylove.com 2026-04-05

# PCB Images

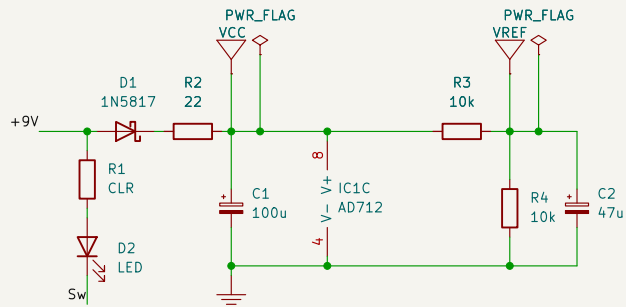
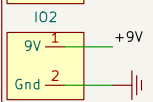
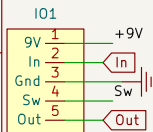
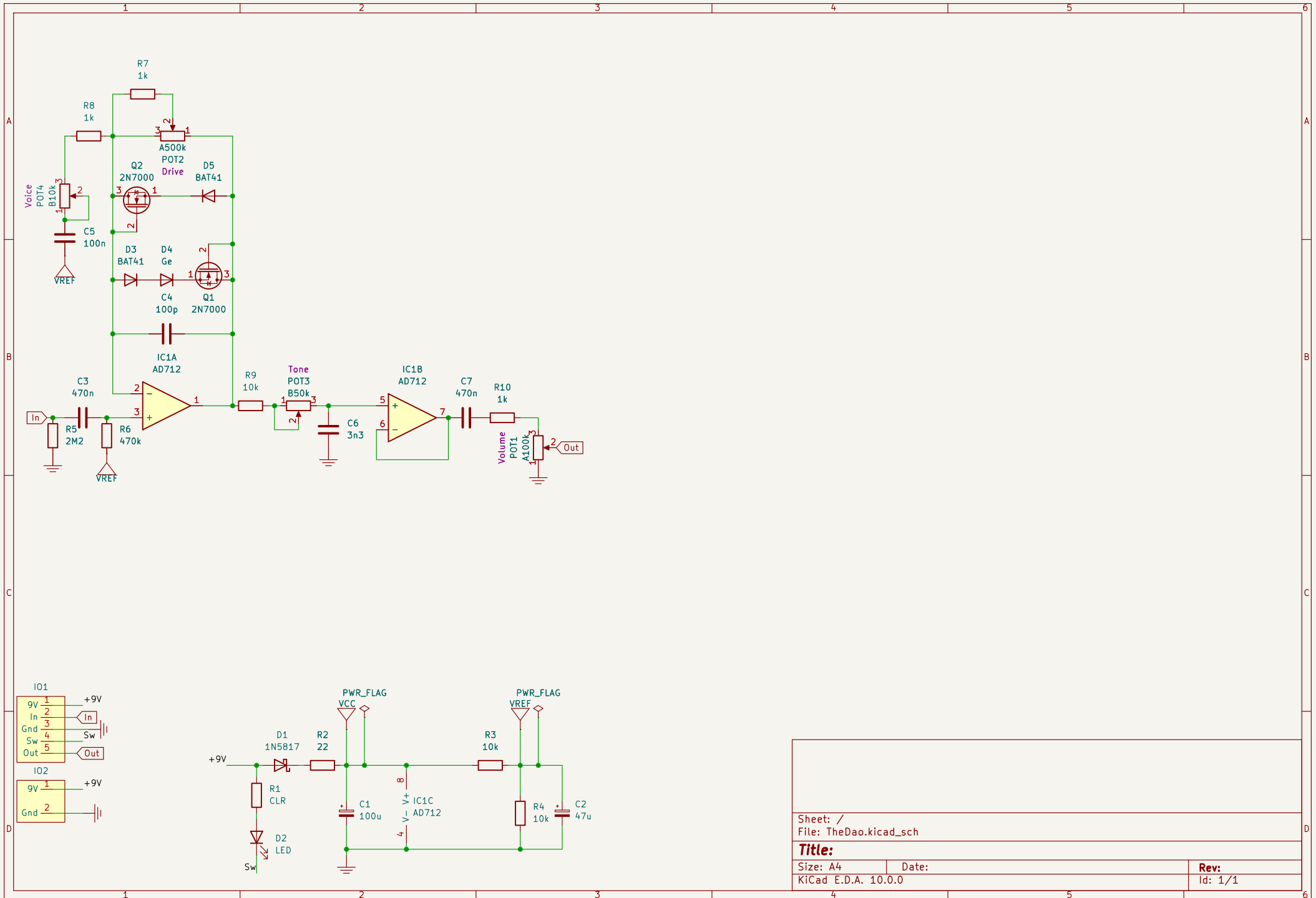
## Top View



## Bottom View



Copyright: Sheepylove.com 2026-04-05

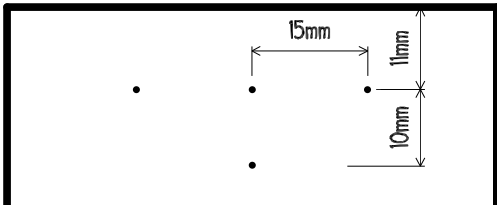


Sheet: /  
 File: TheDao.kicad\_sch

**Title:**

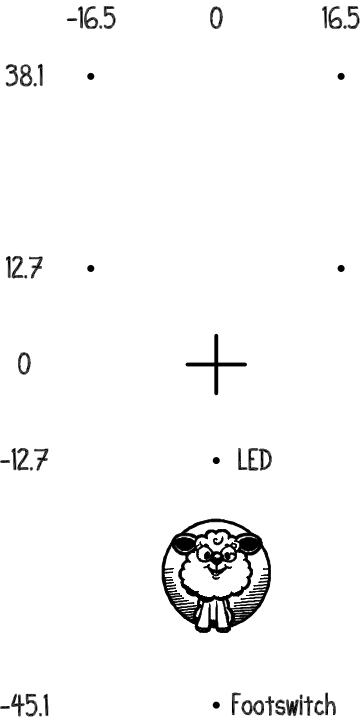
Size: A4 Date:  
 KiCad E.D.A. 10.0.0

Rev:  
 Id: 1/1



With a sheepy kind of love.

### Sheepylove Drill Template



Print 1:1 scale.  
All units are in millimeters.