

Sheepylove Eff It 75 Build Doc

Updated: 2026-04-05

It's woolly, it's greasy, it's Sheepylove.

Disclaimer: All trademarks and registered trademarks are the property of their respective owners. The company, product, and service names used in this document are for comparative purposes only. Use of these names, logos, and brands does not imply affiliation nor endorsement.

Sounds like MXR Envelope Filter

An old girl, she's a beauty once you dial in the threshold for your guitar. Great clean, or with distortion.

Copyright: Sheepylove.com 2026-04-05

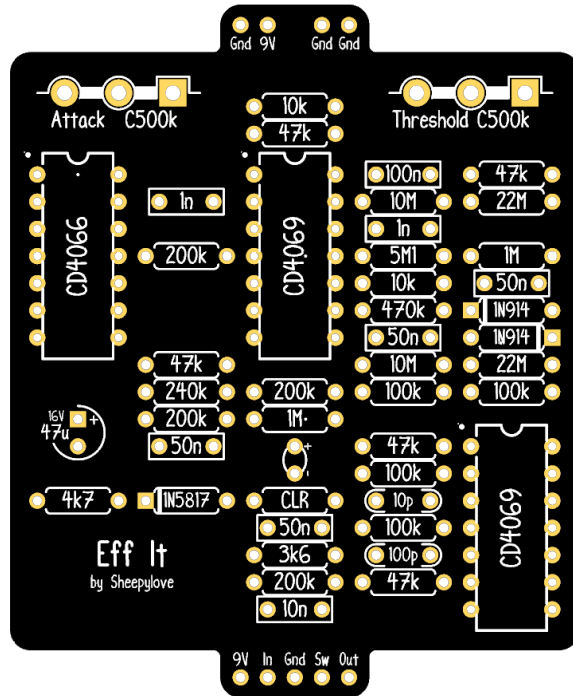
Bill of Materials

| Reference | Value | Quantity | Notes |
|-------------------|--------|----------|-------|
| C1 | 47u | 1 | |
| C2,C5,C7,C8 | 50n | 4 | |
| C3,C4 | 1n | 2 | |
| C6 | 10n | 1 | |
| C9 | 100n | 1 | |
| C10 | 10p | 1 | |
| C11 | 100p | 1 | |
| D1 | 1N5817 | 1 | |
| D2 | LED | 1 | |
| D3,D4 | 1N914 | 2 | |
| P0T1,P0T2 | C500k | 2 | |
| R1 | CLR | 1 | |
| R2 | 4k7 | 1 | |
| R3,R14 | 1M | 2 | |
| R4,R5,R8,R10 | 200k | 4 | |
| R6 | 240k | 1 | |
| R7,R9,R20,R21,R26 | 47k | 5 | |
| R11 | 5M1 | 1 | |
| R12,R17 | 10k | 2 | |
| R13 | 470k | 1 | |
| R15,R19 | 22M | 2 | |
| R16,R18 | 10M | 2 | |
| R22-R25 | 100k | 4 | |
| R27 | 3k6 | 1 | |
| U1,U3 | CD4069 | 2 | |
| U2 | CD4066 | 1 | |

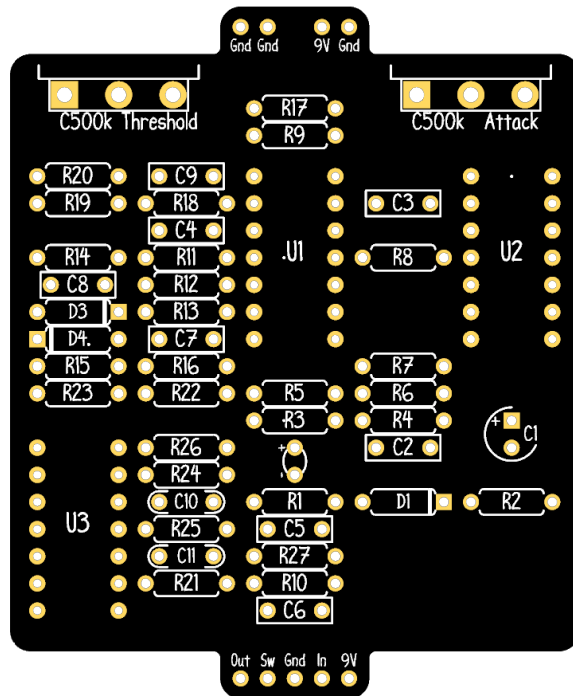
Copyright: Sheepllove.com 2026-04-05

PCB Images

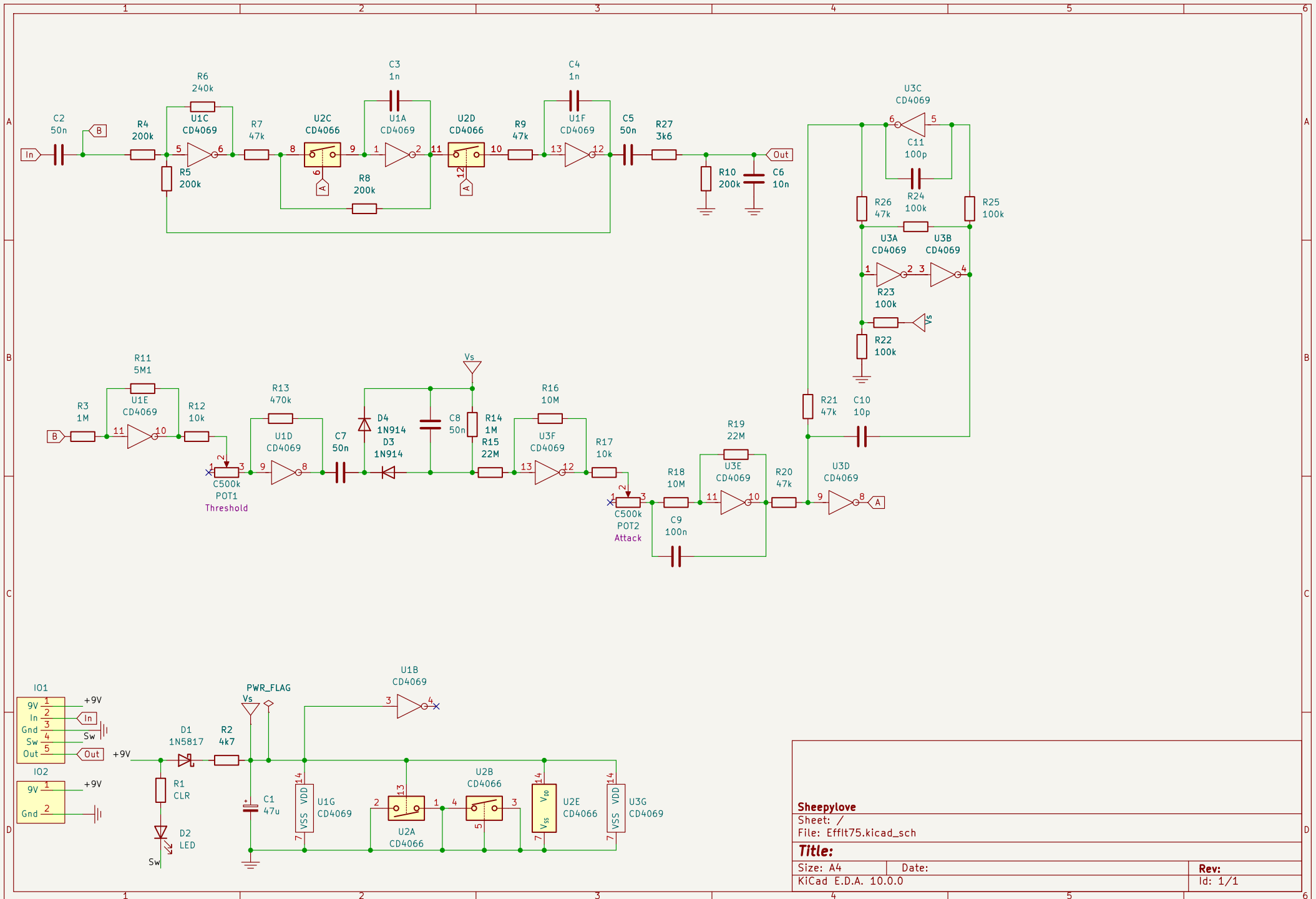
Top View



Bottom View



Copyright: Sheepllove.com 2026-04-05



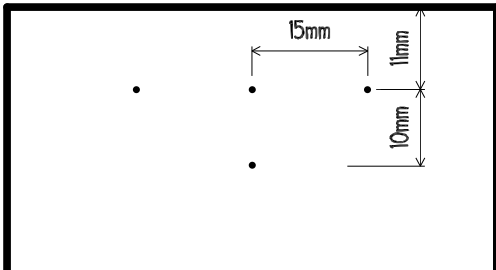
Sheepllove

Sheet: /
File: Efflt75.kicad_sch

Title:

Size: A4 Date:
KiCad E.D.A. 10.0.0

Rev:
Id: 1/1



Sheepylove Drill Template

-16.5 0 16.5
 38.1 • •

0 +
 -12.7 • LED



-45.1 • Footswitch

All units are in millimeters.