

Sheepylove Kaiser Build Doc

Updated: 2026-04-05

It's woolly, it's greasy, it's Sheepylove.

Disclaimer: All trademarks and registered trademarks are the property of their respective owners. The company, product, and service names used in this document are for comparative purposes only. Use of these names, logos, and brands does not imply affiliation nor endorsement.

Sounds like King of Tone with mods by Celestial Engineering

This is the 9V version of the lead channel Emperor of Tone. It's a slightly higher gain KoT lead side with some useful mods.

You can select out of 3 options (normal, more, most) for your low-end with the BOTTOM toggle switch. More bass equals more gain (and vice versa), so this can be useful for single coils, or just pushing the circuit to its max.

HARD lets you dial in the amount of hard clipping, so you can go from the OD channel of the KoT to the dist channel and all ways in between.

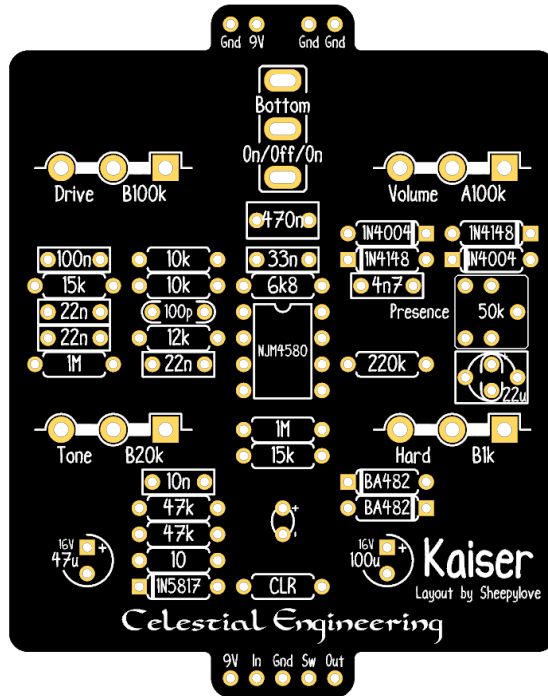
Copyright: Sheepylove.com 2026-04-05

Bill of Materials

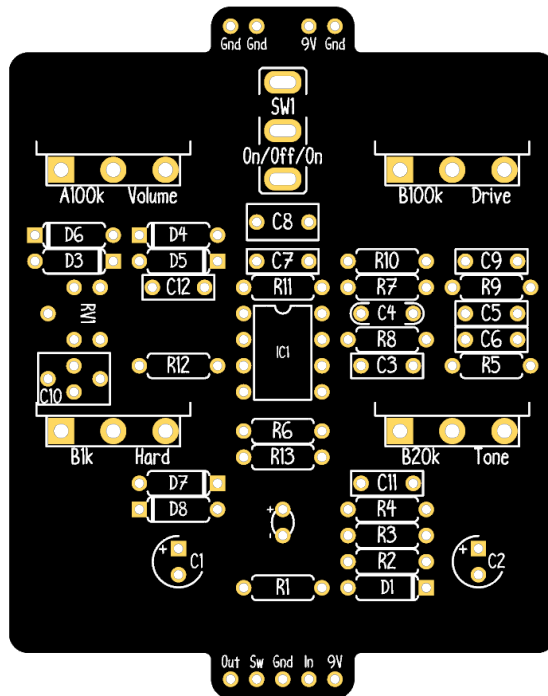
Reference	Value	Quantity	Notes
C1	100u	1	
C2	47u	1	
C3,C5,C6	22n	3	
C4	100p	1	
C7	33n	1	
C8	470n	1	
C9	100n	1	
C10	22u	1	
C11	10n	1	
C12	4n7	1	
D1	1N5817	1	
D2	LED	1	
D3,D4	1N4004	2	
D5,D6	1N4148	2	
D7,D8	BA482	2	Unobtainium, try BA282, 1N4148 in series, or any KoT diode
IC1	NJM4580	1	Any old dual op-amp should do
POT1	A100k	1	
POT2	B100k	1	
POT3	B1k	1	
POT4	B20k	1	
R1	CLR	1	
R2	10	1	
R3,R4	47k	2	
R5,R6	1M	2	
R7,R10	10k	2	
R8	12k	1	
R9,R13	15k	2	
R11	6k8	1	
R12	220k	1	
RV1	50k	1	
SW1	0n/0ff/0n	1	

PCB Images

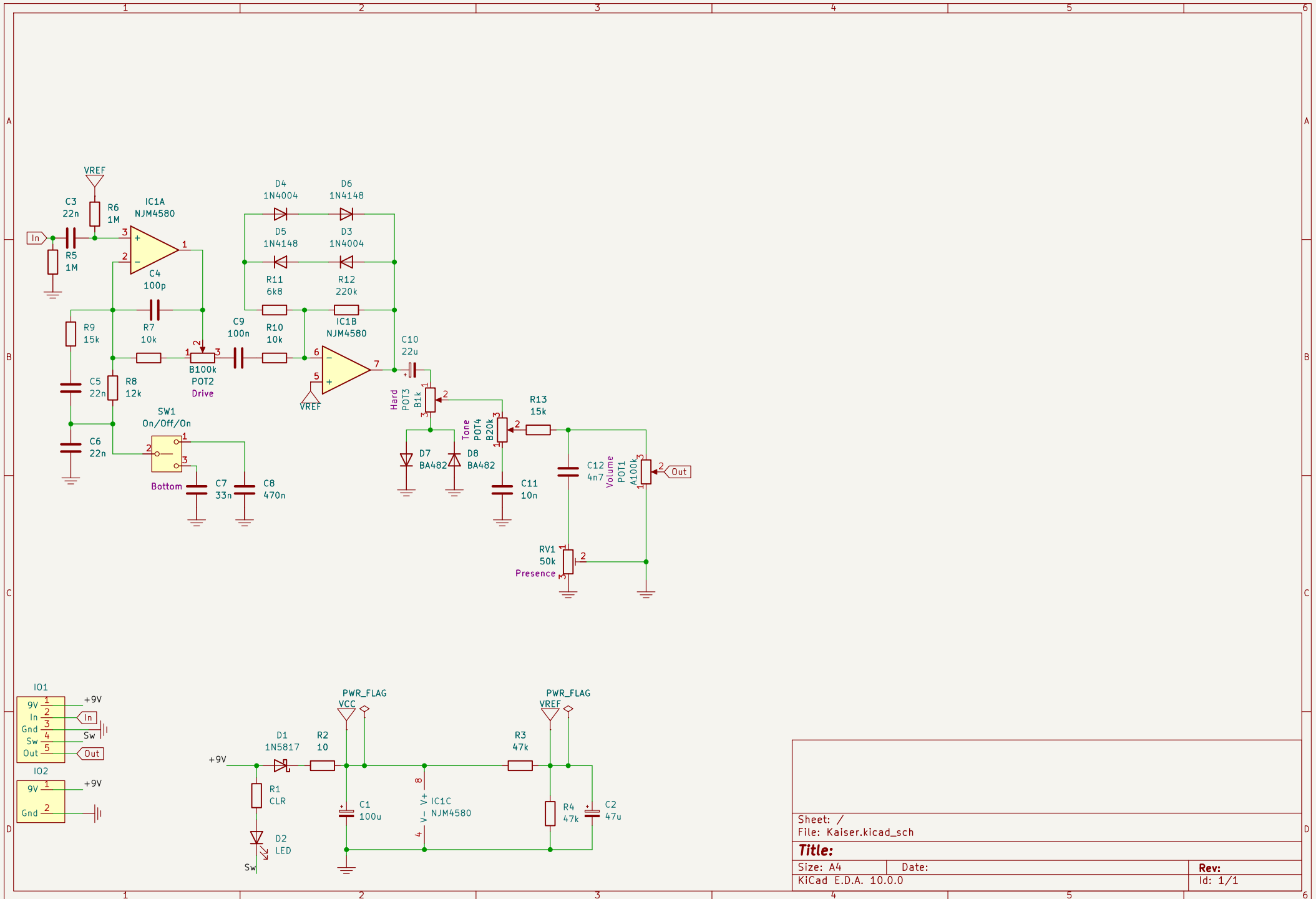
Top View



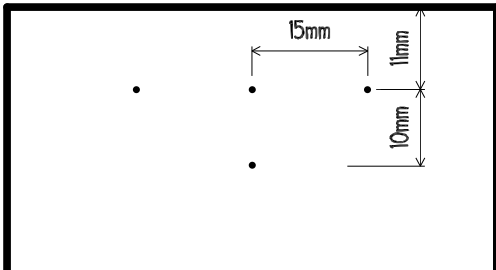
Bottom View



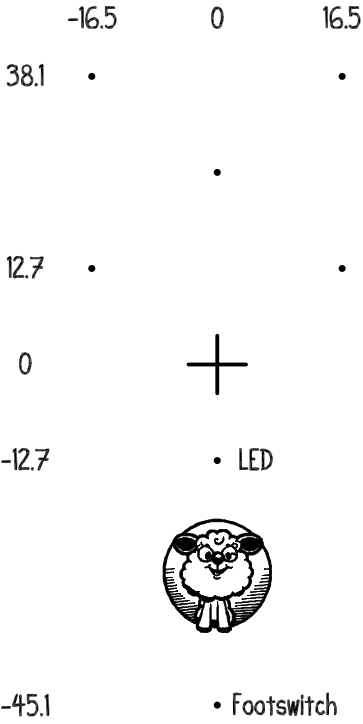
Copyright: Sheepllove.com 2026-04-05



Sheet: /	
File: Kaiser.kicad_sch	
Title:	
Size: A4	Date:
KiCad E.D.A. 10.0.0	Rev: Id: 1/1



Sheepylove Drill Template



Print 1:1 scale.
All units are in millimeters.