

Sheepylove Spunkomatic Build Doc

Updated: 2026-03-05

It's woolly, it's greasy, it's Sheepylove.

Disclaimer: All trademarks and registered trademarks are the property of their respective owners. The company, product, and service names used in this document are for comparative purposes only. Use of these names, logos, and brands does not imply affiliation nor endorsement.

Sounds like Karma Suture with mods by Celestial Engineering

Loosely based on the Karma Suture, which in turn is based on the Harmonic Percolator.

Q1 can be low-leakage Germanium or medium gain Silicon.

Copyright: Sheepylove.com 2026-03-05

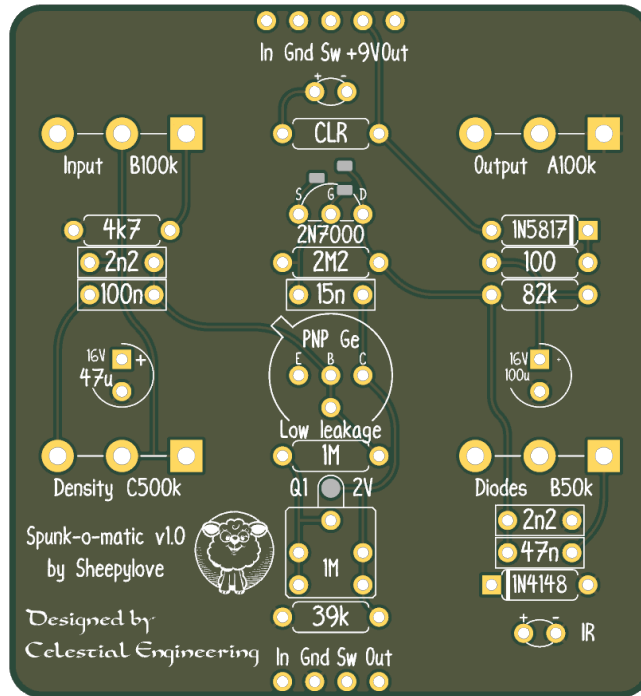
Bill of Materials

Reference	Value	Quantity	Notes
C1	100u	1	
C2,C6	2n2	2	
C3	100n	1	
C4	15n	1	
C5	47u	1	
C7	47n	1	
D1	1N5817	1	
D2	LED	1	
D3	1N4148	1	
D4	IR	1	
POT1	A100k	1	
POT2	B50k	1	
POT5	B100k	1	
POT6	C500k	1	
Q1	PNP Ge	1	
Q2	2N7000	1	
R1	CLR	1	
R2	100	1	
R3	82k	1	
R4	4k7	1	
R5,RV1	1M	2	
R6	39k	1	
R7	2M2	1	

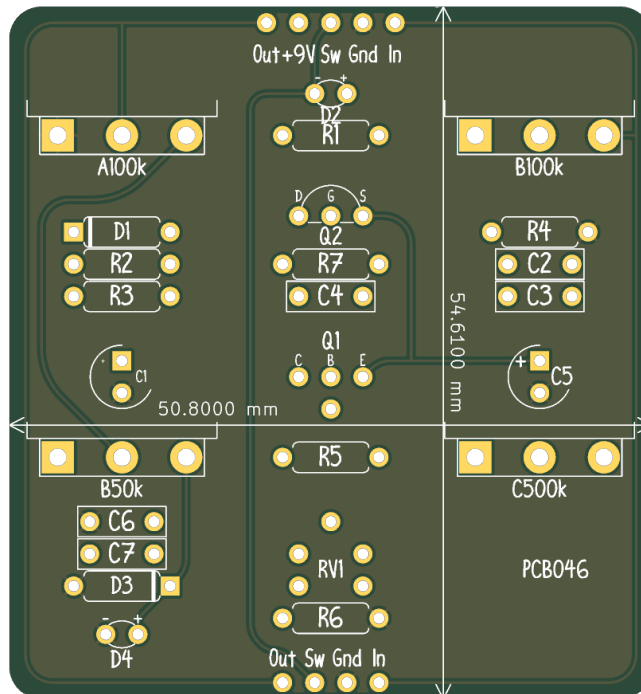
Copyright: Sheepllove.com 2026-03-05

PCB Images

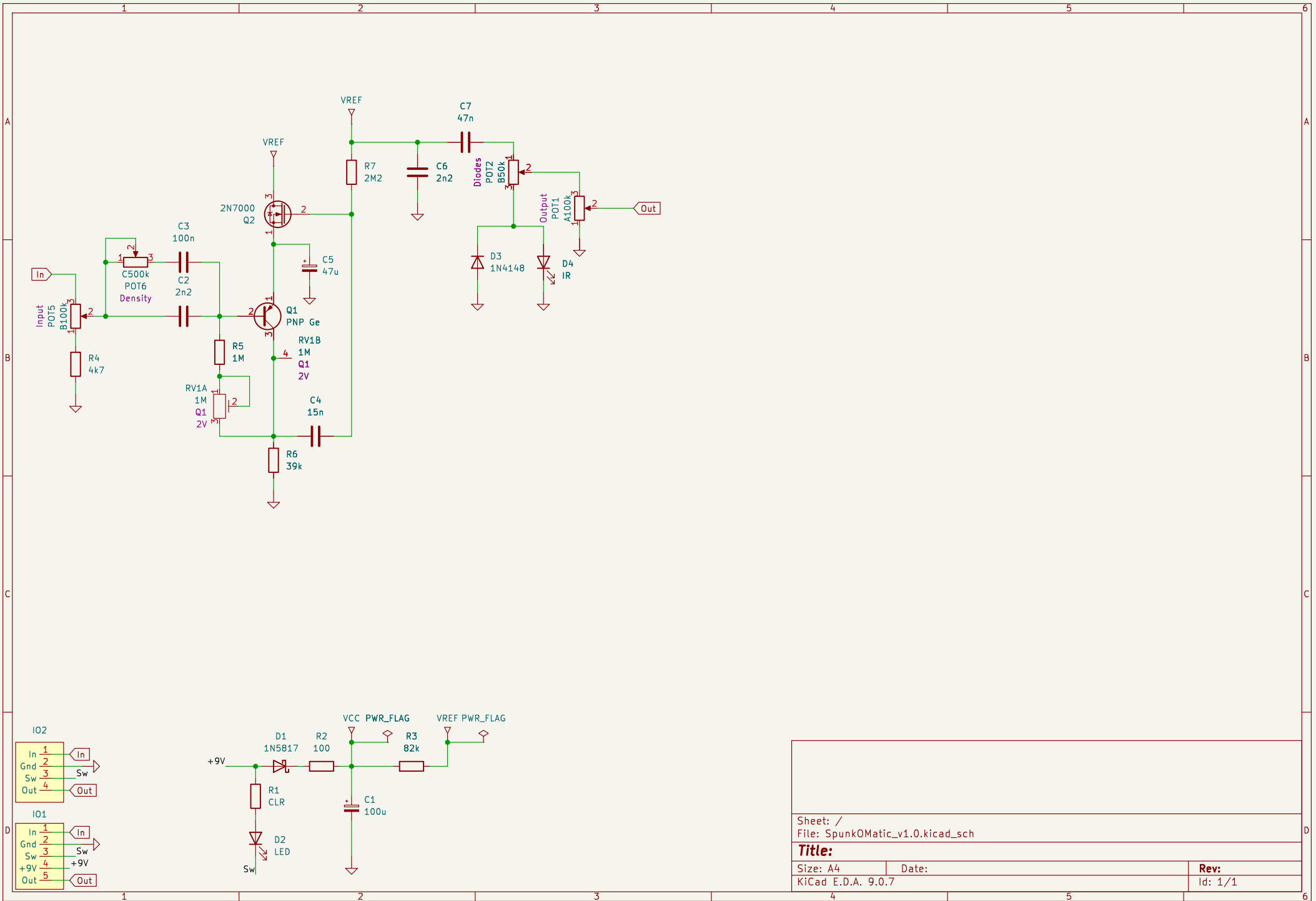
Top View



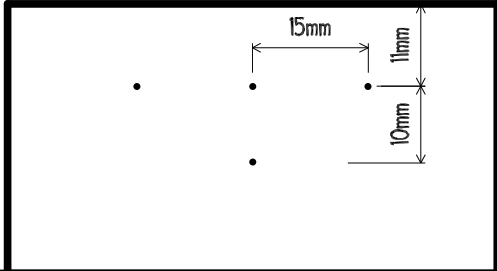
Bottom View



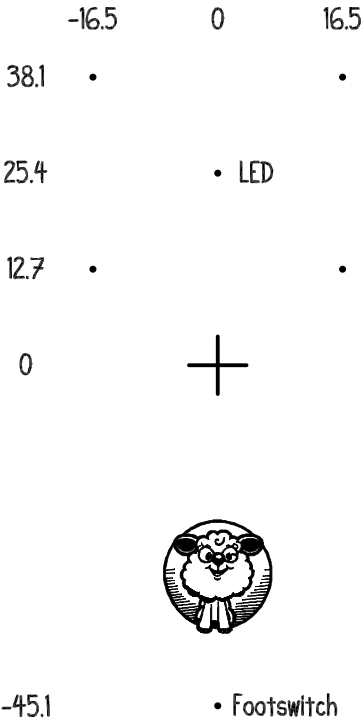
Copyright: Sheepllove.com 2026-03-05



Sheet: /	
File: SpunkOMatic_v1.0.kicad_sch	
Title:	
Size: A4	Date:
KiCad E.D.A. 9.0.7	Rev: Id: 1/1



Sheepylove Drill Template



All units are in millimeters.