

Sheepylove Core Shaper Build Doc

Updated: 2026-03-05

It's woolly, it's greasy, it's Sheepylove.

Disclaimer: All trademarks and registered trademarks are the property of their respective owners. The company, product, and service names used in this document are for comparative purposes only. Use of these names, logos, and brands does not imply affiliation nor endorsement.

Sounds like Core Shaper by dylan159

A 3-band EQ with sweepable mid and adjustable Q, the Core Shaper is an original design by dylan159. It is my go-to at the end of my signal chain to tune my tone to my amp and hardly leaves my board.

Find the original project [here](#).

Copyright: Sheepylove.com 2026-03-05

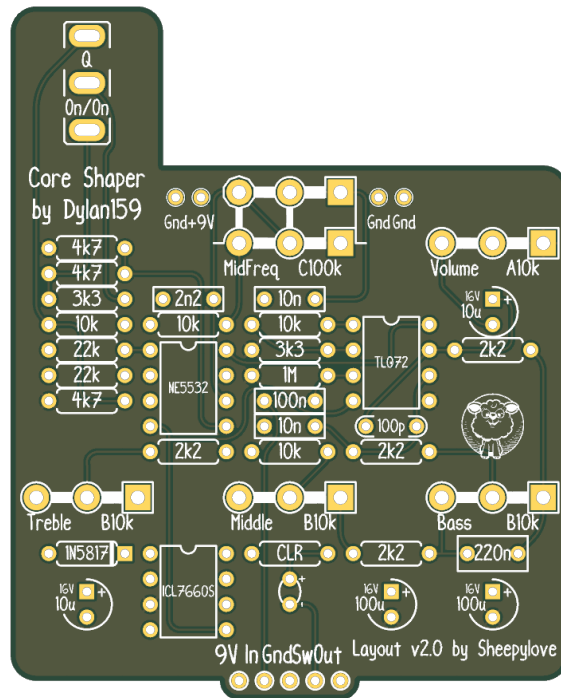
Bill of Materials

Reference	Value	Quantity	Notes
C1,C3	100u	2	
C2,C10	10u	2	
C4	100n	1	
C5,C8	10n	2	
C6	2n2	1	
C7	220n	1	
C9	100p	1	
D1	1N5817	1	
D2	LED	1	
IC1	TL072	1	
IC2	NE5532	1	
IC3	ICL7660S	1	
POT1	A10k	1	
POT2,POT4,POT6	B10k	3	
POT3	C100k	1	
R1	CLR	1	
R2	1M	1	
R3,R7-R9	10k	4	
R4,R13	3k3	2	
R5,R6	22k	2	
R10-R12	4k7	3	
R14-R17	2k2	4	
SW1	0n/0n	1	

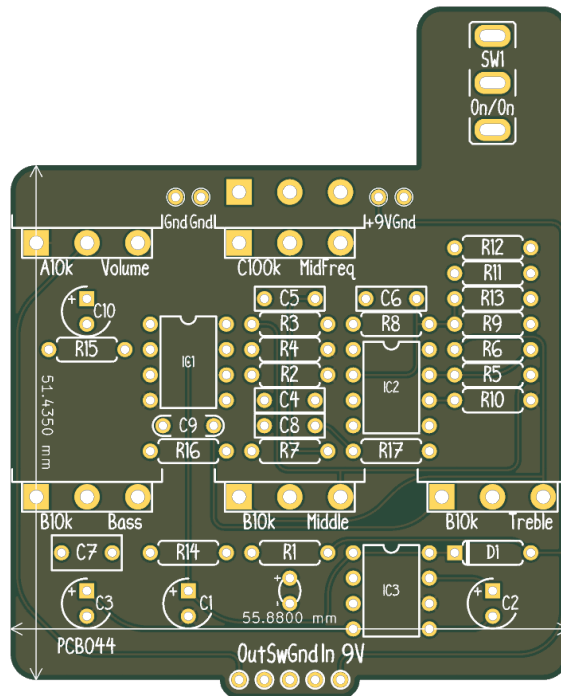
Copyright: Sheepllove.com 2026-03-05

PCB Images

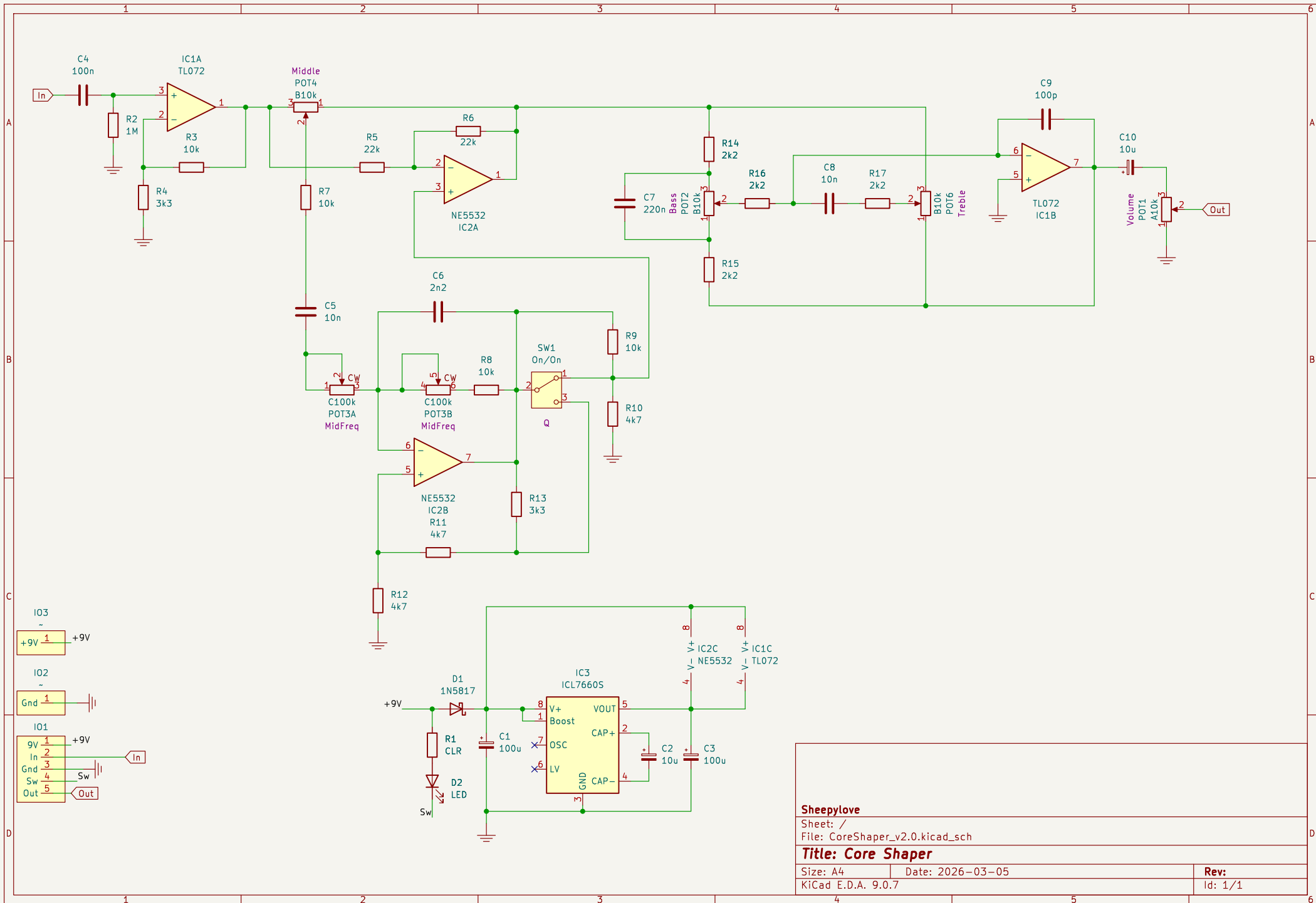
Top View



Bottom View



Copyright: Sheepllove.com 2026-03-05



Sheepylove

Sheet: /
File: CoreShaper_v2.0.kicad_sch

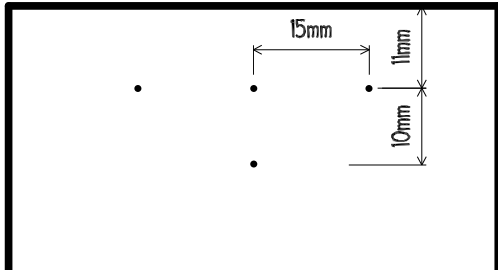
Title: Core Shaper

Size: A4 Date: 2026-03-05


KiCad E.D.A. 9.0.7

Rev:

Id: 1/1



Sheepylove Drill Template

-20.3	0	20.3
38.1 •	•	•
12.7 •	•	•
0	+	
-12.7	• LED	
		
-45.1	• Footswitch	

All units are in millimeters.