

Sheepylove BoneMaster Build Doc

Updated: 2026-03-04

It's woolly, it's greasy, it's Sheepylove.

Disclaimer: All trademarks and registered trademarks are the property of their respective owners. The company, product, and service names used in this document are for comparative purposes only. Use of these names, logos, and brands does not imply affiliation nor endorsement.

Sounds like a RangeMaster by Celestial Engineering

A RangeMaster with variable gain & EQ.

Copyright: Sheepylove.com 2026-03-04

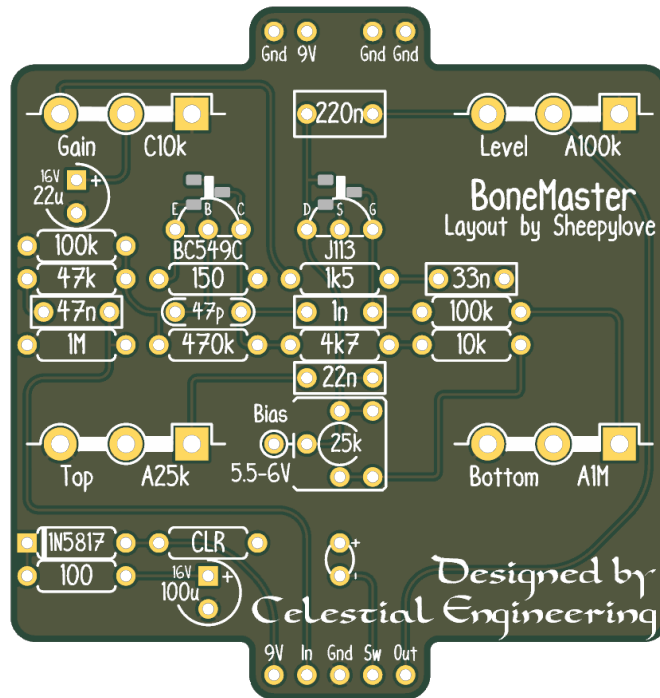
Bill of Materials

Reference	Value	Quantity	Notes
C1	100u	1	
C2	47n	1	
C3	47p	1	
C4	1n	1	
C5	22u	1	
C6	33n	1	
C7	22n	1	
C8	220n	1	
D1	1N5817	1	
D2	LED	1	
POT1	A100k	1	
POT2	C10k	1	
POT3	A1M	1	
POT4	A25k	1	
Q1	BC549C	1	
Q2	J113	1	
R1	CLR	1	
R2	100	1	
R3	1M	1	
R4	47k	1	
R5,R9	100k	2	
R6	150	1	
R7	470k	1	
R8	4k7	1	
R10	1k5	1	
R11	10k	1	
RV1	25k	1	

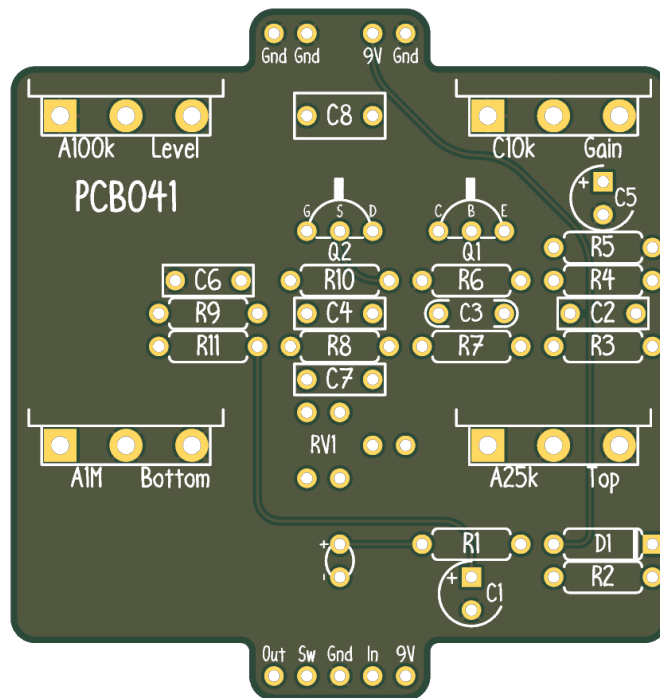
Copyright: Sheepllove.com 2026-03-04

PCB Images

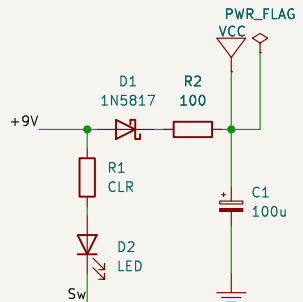
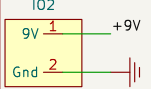
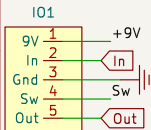
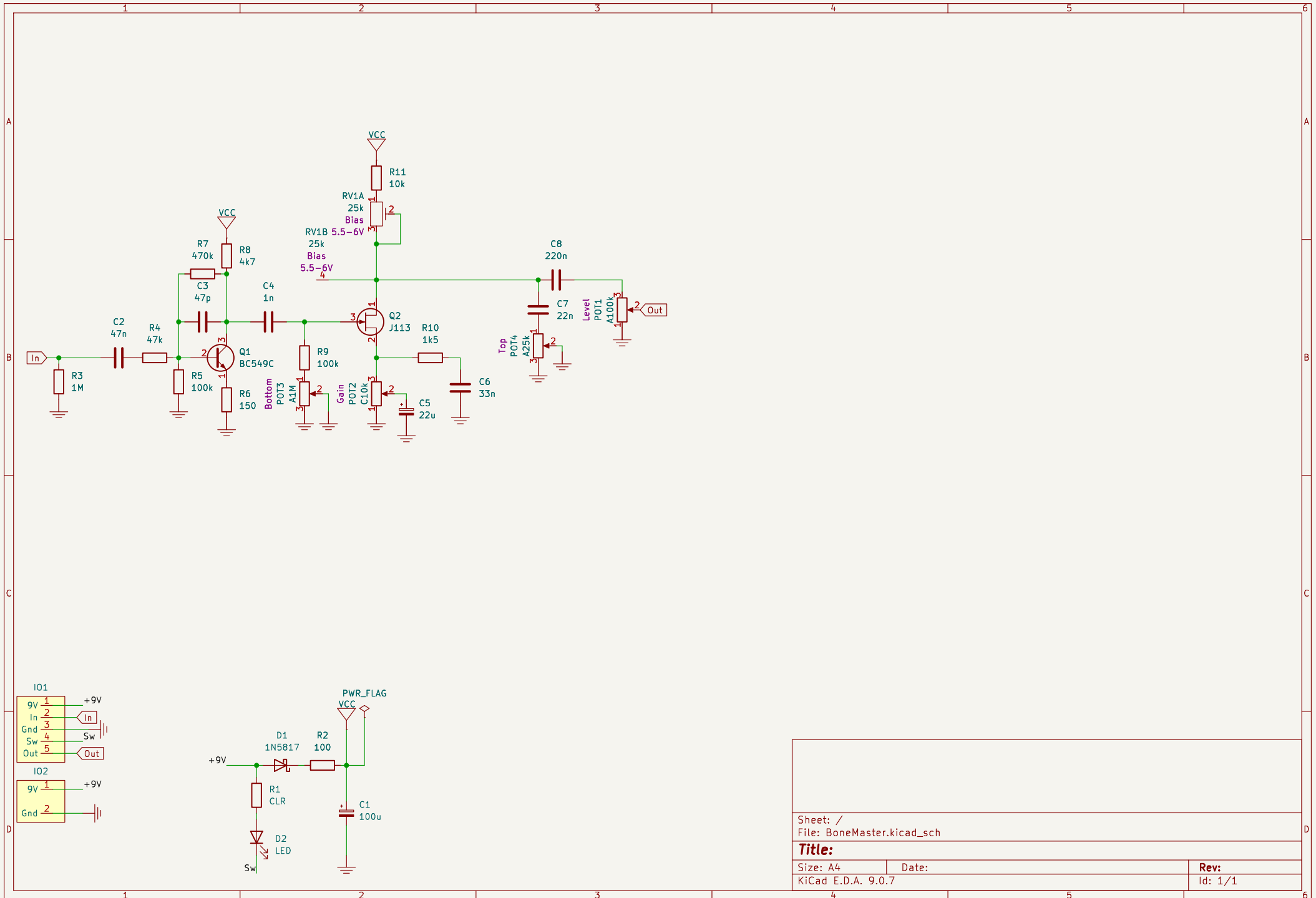
Top View



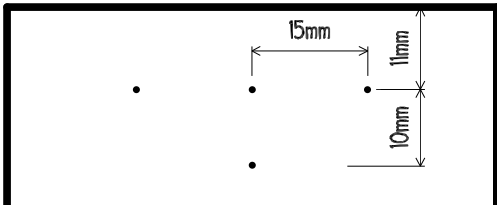
Bottom View



Copyright: Sheepylove.com 2026-03-04

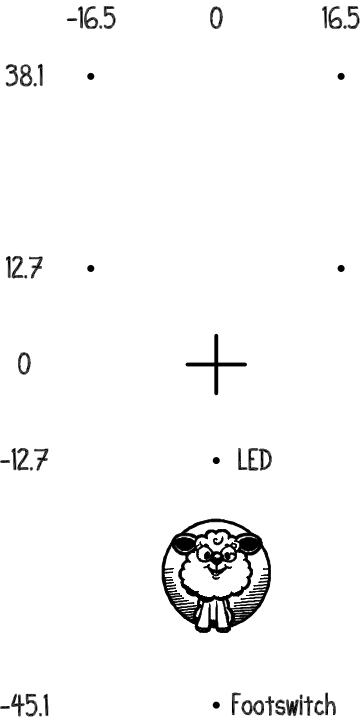


Sheet: /		File: BoneMaster.kicad_sch	
Title:			
Size: A4	Date:	Rev:	
KiCad E.D.A. 9.0.7		Id: 1/1	



With a sheepy kind of love.

Sheepylove Drill Template



Print 1:1 scale.
All units are in millimeters.