

Sheepylove Bee Sting Build Doc

Updated: 2026-03-04

It's woolly, it's greasy, it's Sheepylove.

Disclaimer: All trademarks and registered trademarks are the property of their respective owners. The company, product, and service names used in this document are for comparative purposes only. Use of these names, logos, and brands does not imply affiliation nor endorsement.

Sounds like a One Control Silver Bee with mods by HamishR

Copyright: Sheepylove.com 2026-03-04

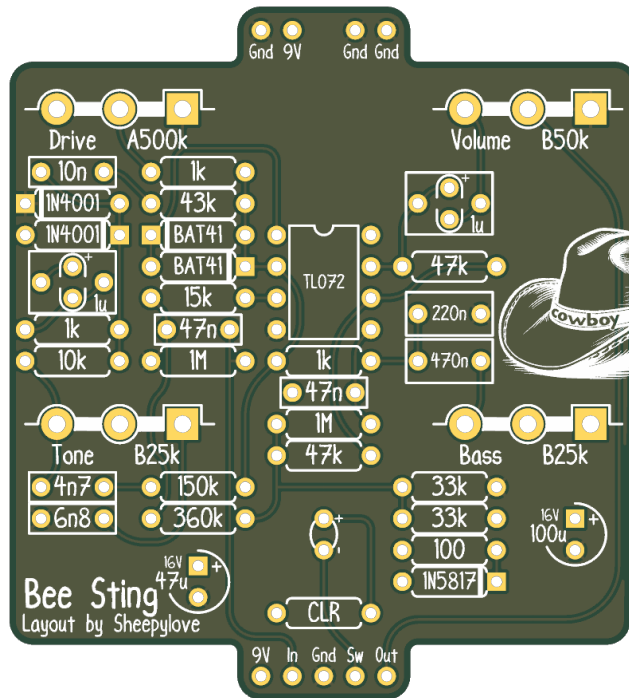
Bill of Materials

Reference	Value	Quantity	Notes
C1	100u	1	
C2	47u	1	
C3,C10	47n	2	
C4	470n	1	
C5	220n	1	
C6,C11	1u	2	
C7	10n	1	
C8	4n7	1	
C9	6n8	1	
D1	1N5817	1	
D2	LED	1	
D3,D4	BAT41	2	
D5,D6	1N4001	2	
IC1	TL072	1	
POT1	B50k	1	
POT2	A500k	1	
POT3,POT4	B25k	2	
R1	CLR	1	
R2	100	1	
R3,R4	33k	2	
R5,R14	1M	2	
R6	360k	1	
R7	15k	1	
R8-R10	1k	3	
R11	43k	1	
R12	10k	1	
R13	150k	1	
R15,R16	47k	2	

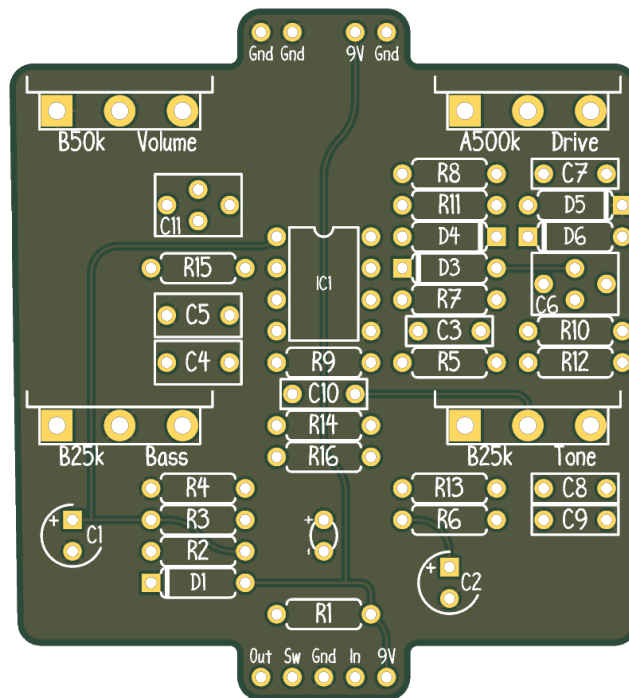
Copyright: Sheepylove.com 2026-03-04

PCB Images

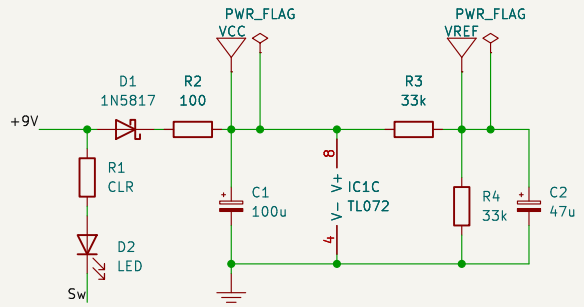
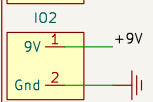
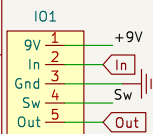
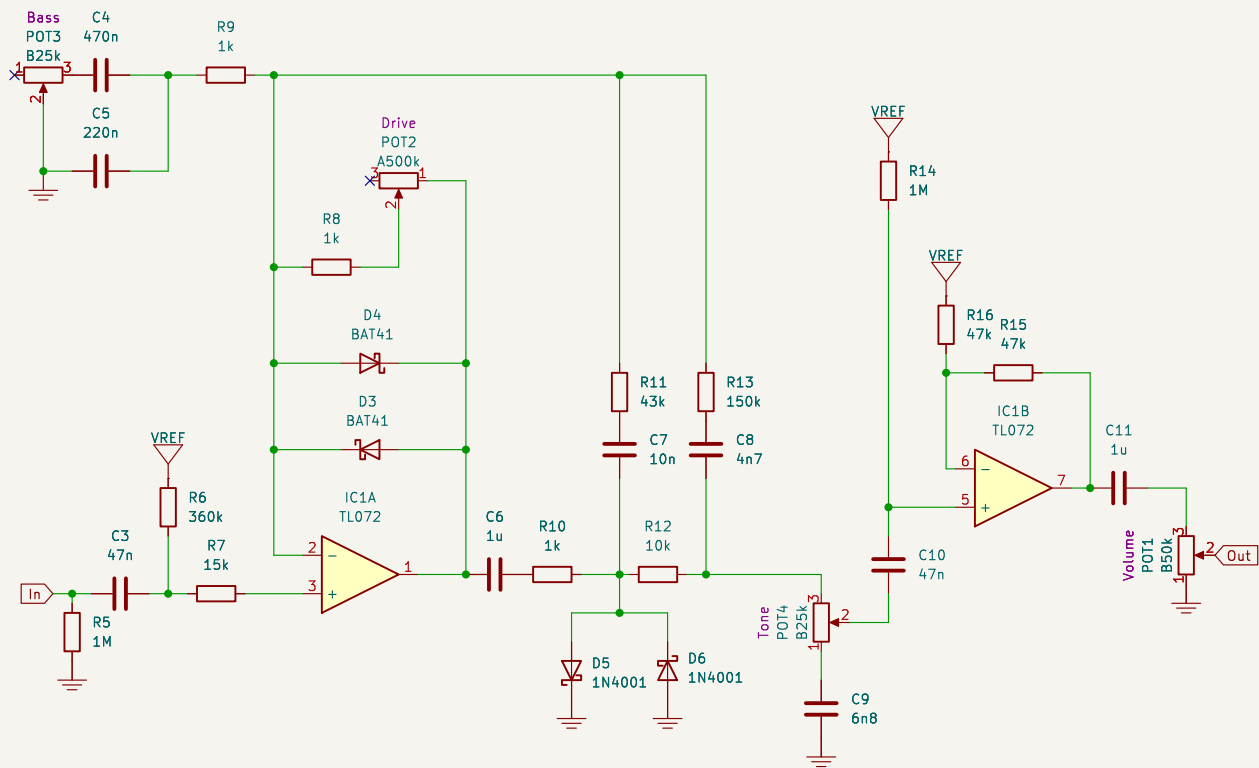
Top View



Bottom View



Copyright: Sheepllove.com 2026-03-04



Sheet: /
File: BeeSting.kicad_sch

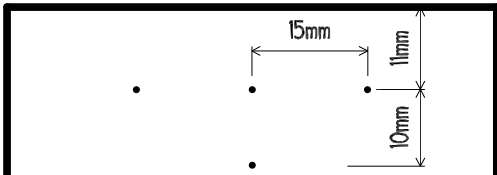
Title:

Size: A4
KiCad E.D.A. 9.0.7

Date:

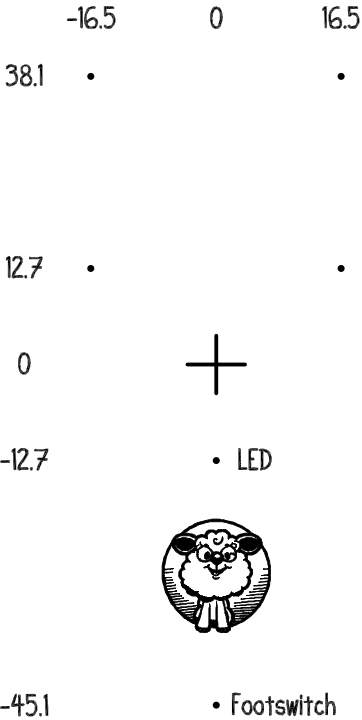
Rev:

Id: 1/1



With a sheepy kind of love.

Sheepylove Drill Template



Print 1:1 scale.
All units are in millimeters.