

Sheepylove Dolly Buffer Build Doc

Updated: 2026-03-04

It's woolly, it's greasy, it's Sheepylove.

Disclaimer: All trademarks and registered trademarks are the property of their respective owners. The company, product, and service names used in this document are for comparative purposes only. Use of these names, logos, and brands does not imply affiliation nor endorsement.

Sounds like a Klon buffer

Copyright: Sheepylove.com 2026-03-04

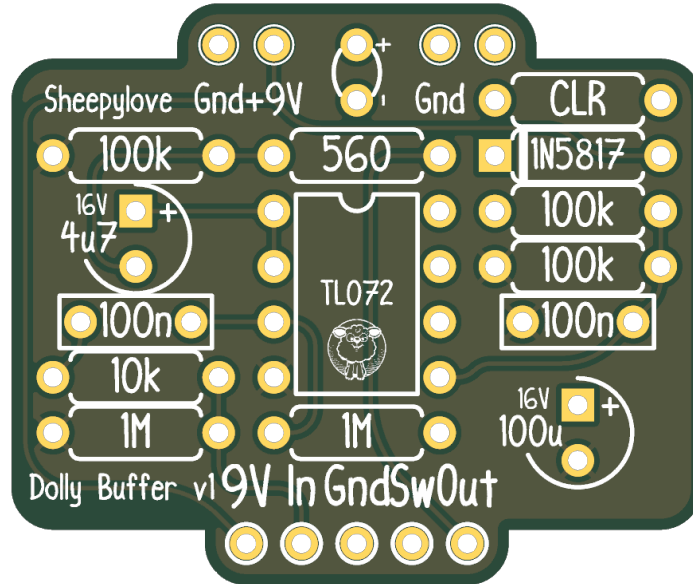
Bill of Materials

Reference	Value	Quantity	Notes
C1	100u	1	
C2,C3	100n	2	
C4	4u7	1	
D1	1N5817	1	
D2	LED	1	
IC1	TL072	1	
R1	CLR	1	
R2,R6	1M	2	
R3,R4,R7	100k	3	
R5	10k	1	
R8	560	1	

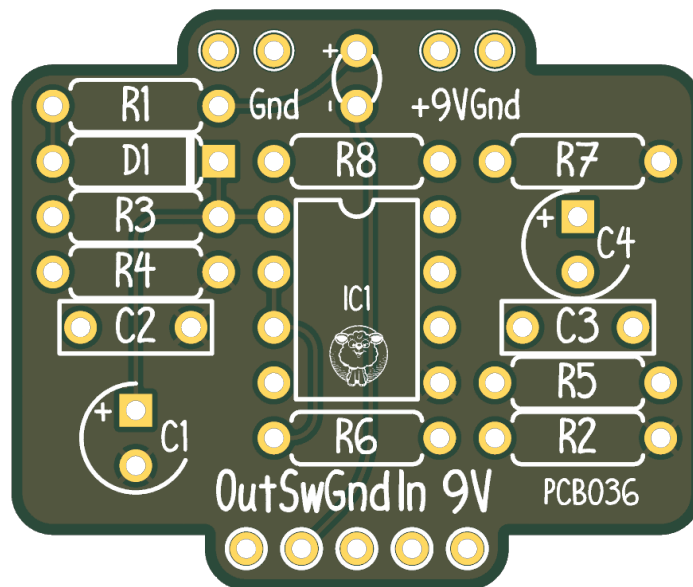
Copyright: Sheepllove.com 2026-03-04

PCB Images

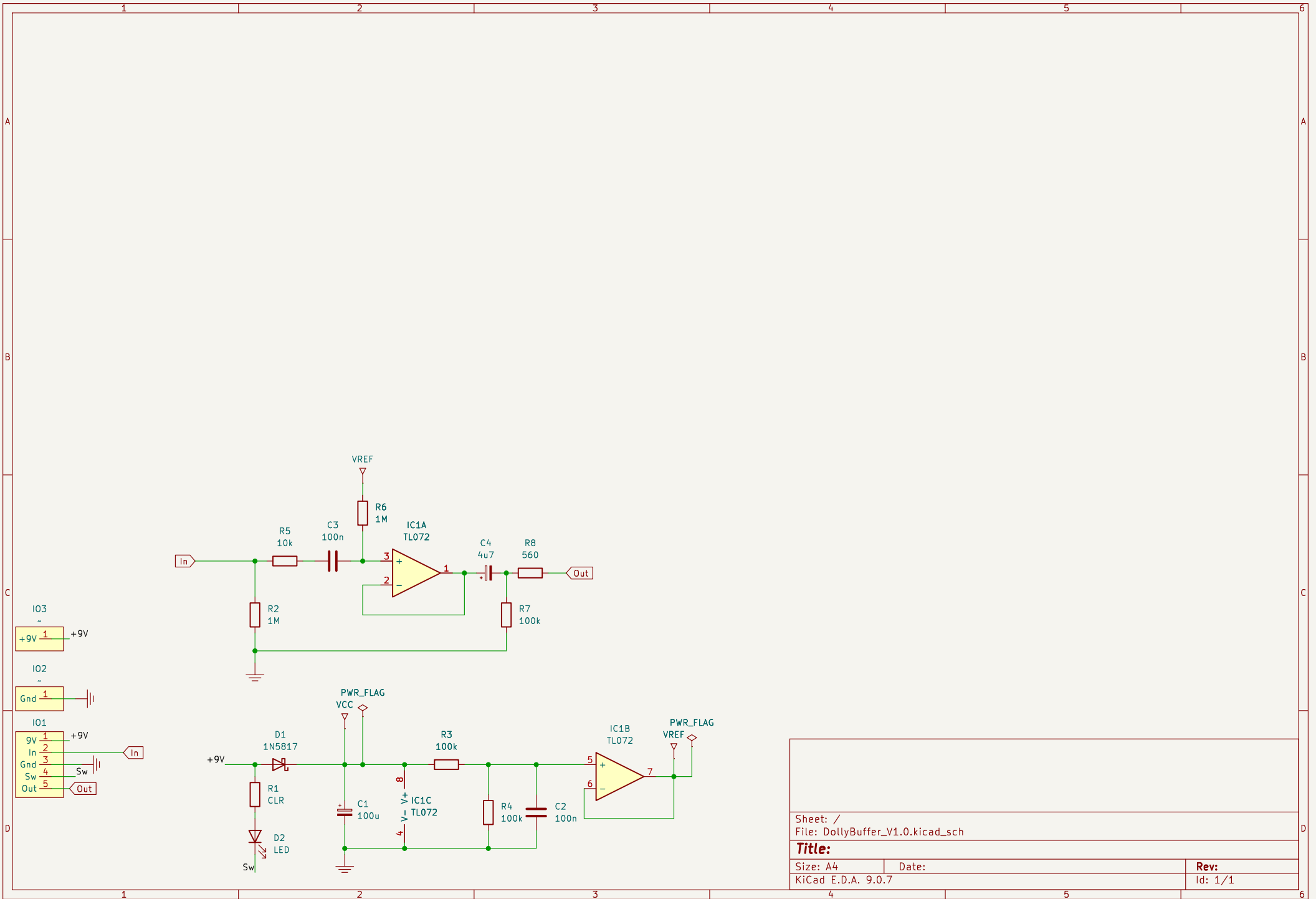
Top View



Bottom View



Copyright: Sheepylove.com 2026-03-04



Sheet: /
 File: DollyBuffer_V1.0.kicad_sch

Title:

Size: A4
 KiCad E.D.A. 9.0.7

Date:

Rev:
 Id: 1/1