

Sheepyllove Range Blaster Build Doc

Updated: 2026-03-04

It's woolly, it's greasy, it's Sheepyllove.

Disclaimer: All trademarks and registered trademarks are the property of their respective owners. The company, product, and service names used in this document are for comparative purposes only. Use of these names, logos, and brands does not imply affiliation nor endorsement.

Sounds like a Range Master by Celestial Engineering

Copyright: Sheepyllove.com 2026-03-04

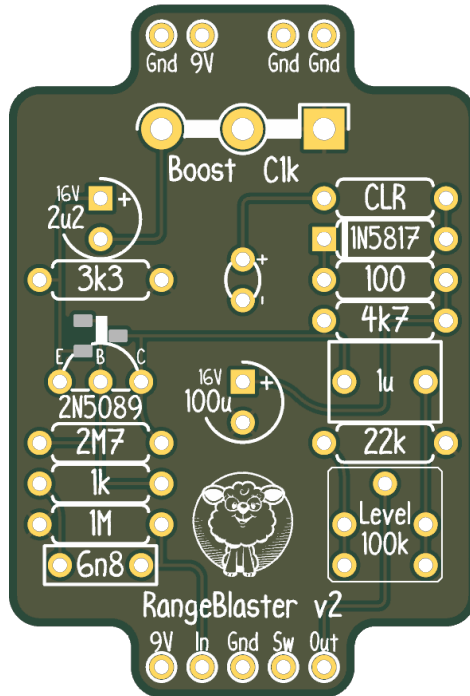
Bill of Materials

Reference	Value	Quantity	Notes
C1	100u	1	
C2	6n8	1	
C3	2u2	1	
C4	1u	1	
D1	1N5817	1	
D2	LED	1	
POT1	C1k	1	
Q1	2N5089	1	
R1	CLR	1	
R2	100	1	
R3	1M	1	
R4	1k	1	
R5	2M7	1	
R6	3k3	1	
R7	4k7	1	
R8	22k	1	
RV1	100k	1	

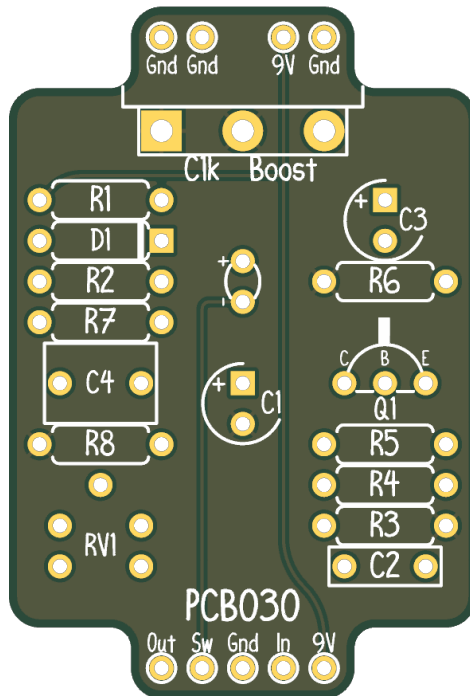
Copyright: Sheepllove.com 2026-03-04

PCB Images

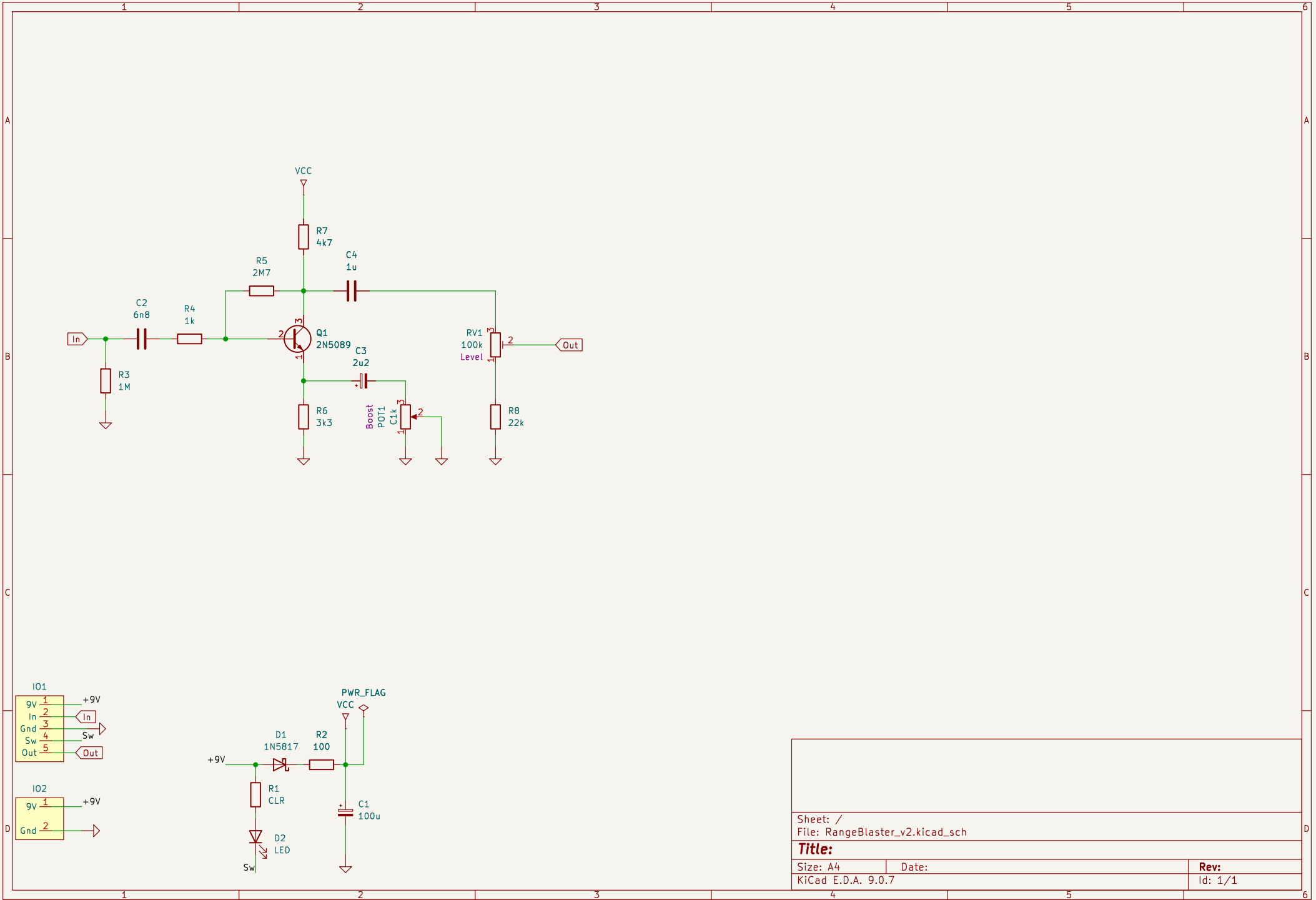
Top View



Bottom View



Copyright: Sheepylove.com 2026-03-04



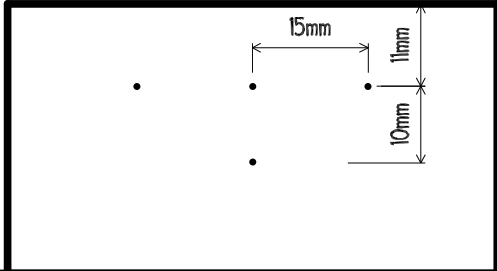
Sheet: /
File: RangeBlaster_v2.kicad_sch

Title:

Size: A4
KiCad E.D.A. 9.0.7

Date:

Rev:
Id: 1/1



Sheepylove Drill Template

0

12.7

•

0



-12.7

• LED



-45.1

• Footswitch

All units are in millimeters.