

Sheepylove Hebridean Build Doc

Updated: 2026-02-27

It's woolly, it's greasy, it's Sheepylove.

Disclaimer: All trademarks and registered trademarks are the property of their respective owners. The company, product, and service names used in this document are for comparative purposes only. Use of these names, logos, and brands does not imply affiliation nor endorsement.

Sounds like OKKO Diablo with mods by Celestial Engineering

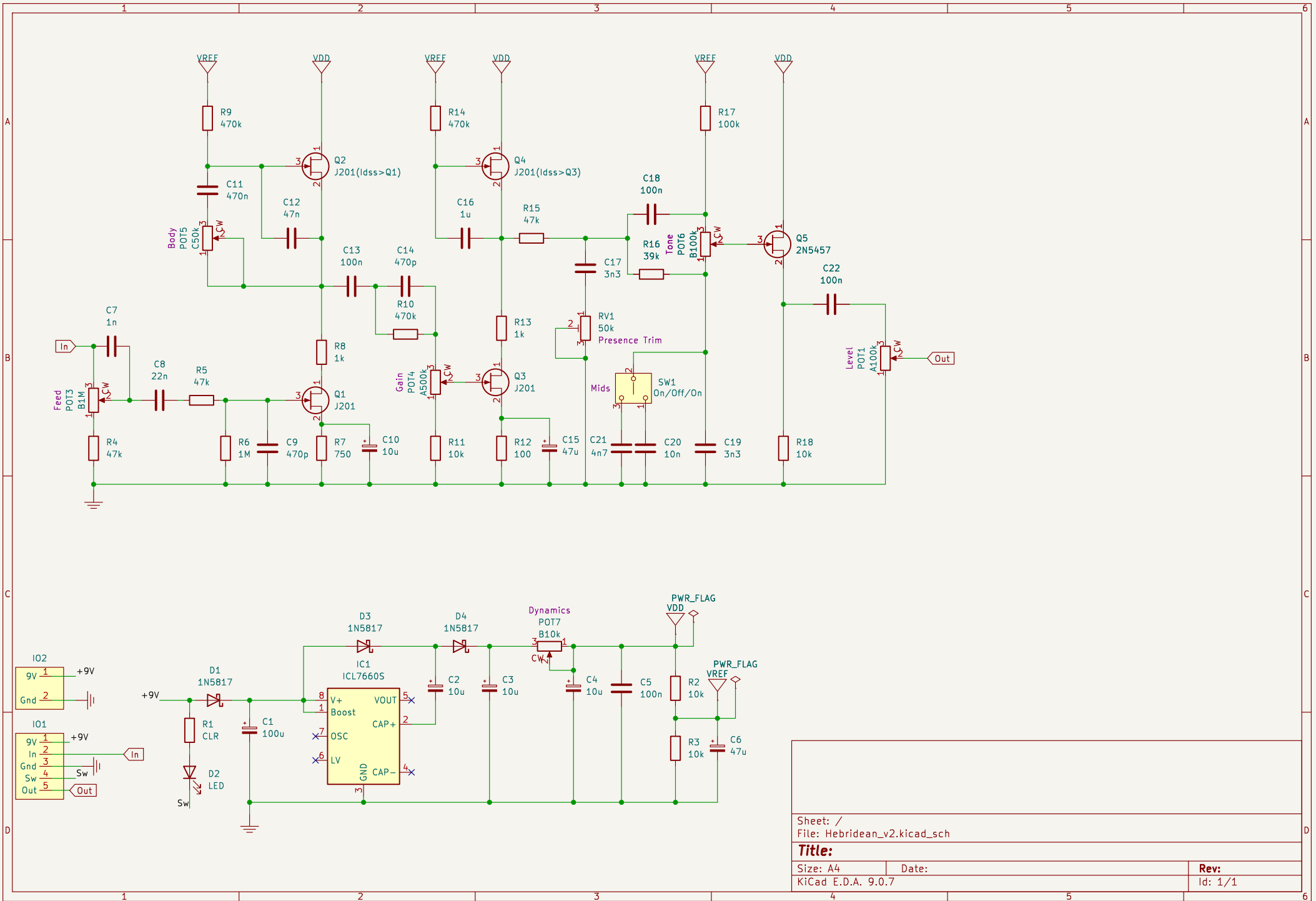
A nice JFET overdrive with a lot of sculpting potential thanks to Chuck D Bones.

You need to measure the transistors for Idss, and choose higher values in certain places as indicated on the board.

Copyright: Sheepylove.com 2026-02-27

Bill of Materials

Reference	Value	Quantity	Notes
C1	100u	1	
C2-C4,C10	10u	4	
C5,C13,C18,C22	100n	4	
C6,C15	47u	2	
C7	1n	1	
C8	22n	1	
C9,C14	470p	2	
C11	470n	1	
C12	47n	1	
C16	1u	1	
C17,C19	3n3	2	
C20	10n	1	
C21	4n7	1	
D1,D3,D4	1N5817	3	
D2	LED	1	
IC1	ICL7660S	1	
POT1	A100k	1	
POT3	B1M	1	
POT4	A500k	1	
POT5	C50k	1	
POT6	B100k	1	
POT7	B10k	1	
Q1,Q3	J201	2	
Q2	J201(Idss>Q1)	1	
Q4	J201(Idss>Q3)	1	
Q5	2N5457	1	
R1	CLR	1	
R2,R3,R11,R18	10k	4	
R4,R5,R15	47k	3	
R6	1M	1	
R7	750	1	
R8,R13	1k	2	
R9,R10,R14	470k	3	
R12	100	1	
R16	39k	1	
R17	100k	1	
RV1	50k	1	
SW1	0n/0ff/0n	1	



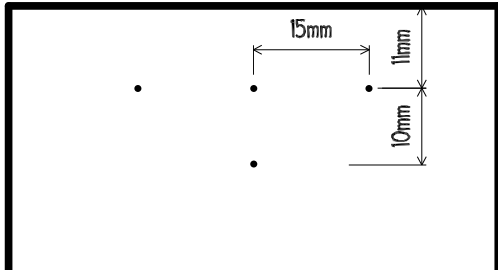
Sheet: /
 File: Hebridean_v2.kicad_sch

Title:

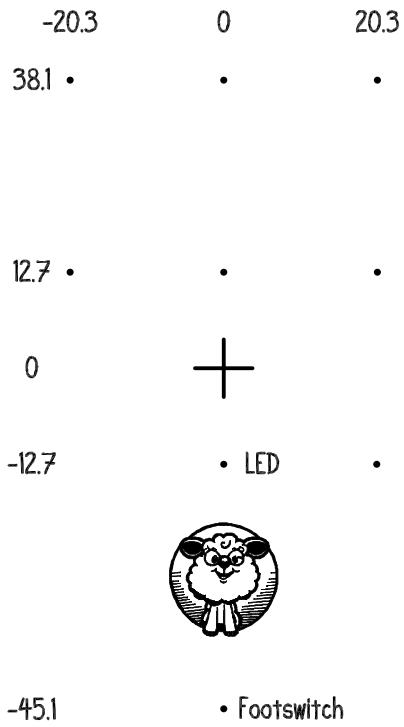
Size: A4
 KiCad E.D.A. 9.0.7

Date:

Rev:
 Id: 1/1



Sheepylove Drill Template



All units are in millimeters.