

Sheepylove Daft Fuzz Build Doc

Updated: 2026-02-24

It's woolly, it's greasy, it's Sheepylove.

Disclaimer: All trademarks and registered trademarks are the property of their respective owners. The company, product, and service names used in this document are for comparative purposes only. Use of these names, logos, and brands does not imply affiliation nor endorsement.

Sounds like Dunwich Audio Fuzz Throne

Copyright: Sheepylove.com 2026-02-24

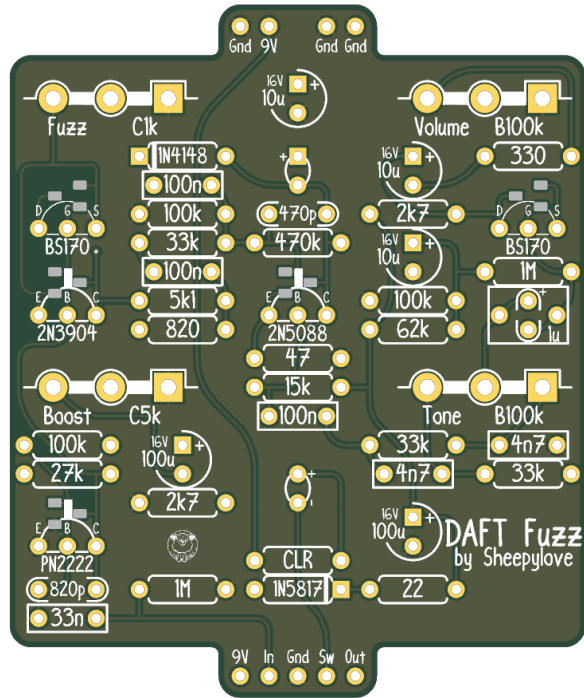
Bill of Materials

Reference	Value	Quantity	Notes
C1,C13	100u	2	
C2	33n	1	
C3	820p	1	
C4,C12,C14	10u	3	
C5,C7,C8	100n	3	
C6	470p	1	
C9,C10	4n7	2	
C11	1u	1	
D1	1N5817	1	
D2	LED	1	
D3	Red	1	
D4	1N4148	1	
POT1,POT3	B100k	2	
POT2	C1k	1	
POT4	C5k	1	
Q1	PN2222	1	
Q2	2N3904	1	
Q3,Q5	BS170	2	
Q4	2N5088	1	
R1	CLR	1	
R2	22	1	
R3,R15	1M	2	
R4	27k	1	
R5,R9,R16	100k	3	
R6	5k1	1	
R7	820	1	
R8,R13,R14	33k	3	
R10	47	1	
R11	470k	1	
R12	15k	1	
R17	62k	1	
R18,R19	2k7	2	
R20	330	1	

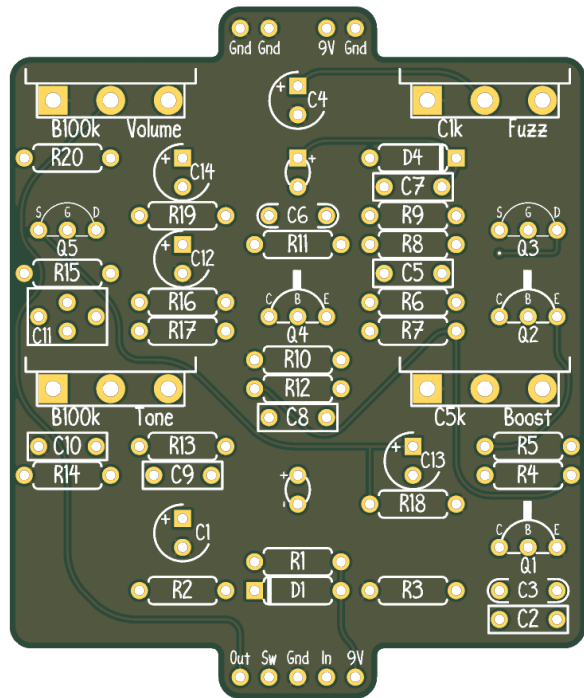
Copyright: Sheepllove.com 2026-02-24

PCB Images

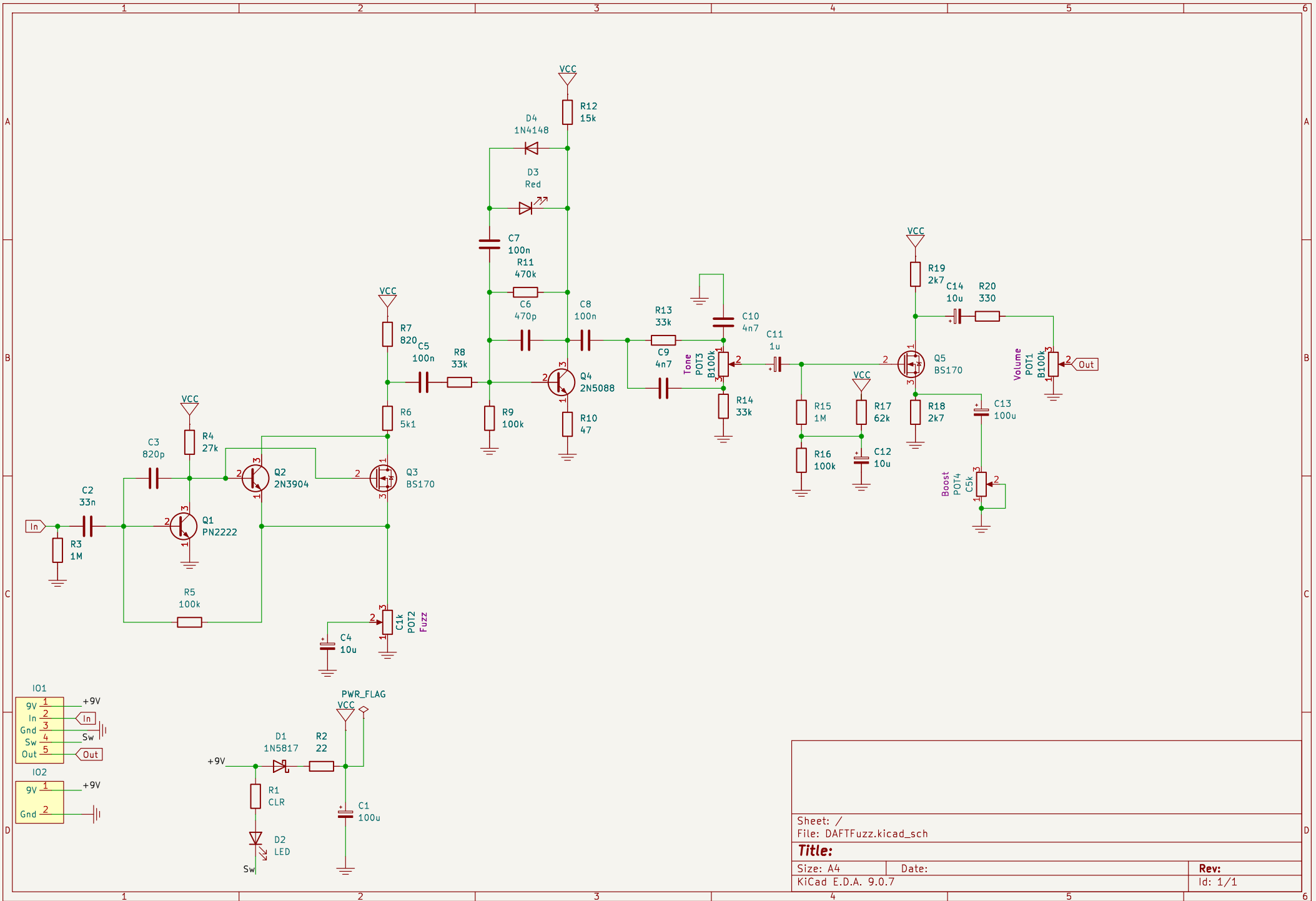
Top View



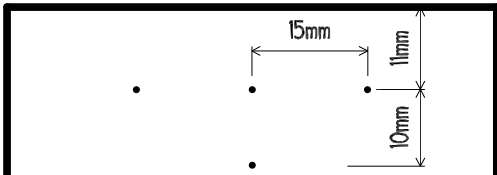
Bottom View



Copyright: Sheepylove.com 2026-02-24

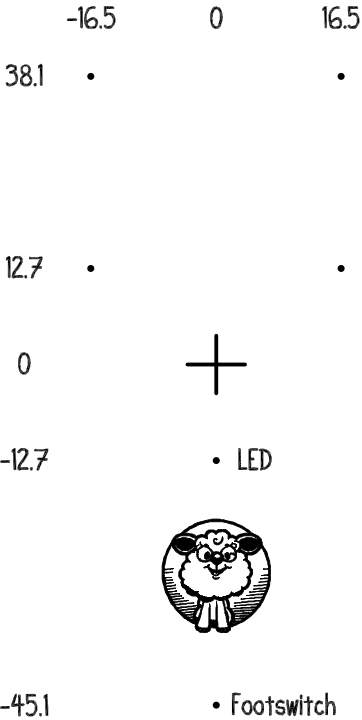


Sheet: /	
File: DAFTFUZZ.kicad_sch	
Title:	
Size: A4	Date:
KiCad E.D.A. 9.0.7	Rev:
	Id: 1/1



With a sheepy kind of love.

Sheepylove Drill Template



Print 1:1 scale.
All units are in millimeters.