

# Sheepylove The Grift Build Doc

Updated: 2026-02-24

It's woolly, it's greasy, it's Sheepylove.

**Disclaimer:** All trademarks and registered trademarks are the property of their respective owners. The company, product, and service names used in this document are for comparative purposes only. Use of these names, logos, and brands does not imply affiliation nor endorsement.

## Sounds like Vemuran Jan Ray

It's a Timmy with minor differences.

Copyright: Sheepylove.com 2026-02-24

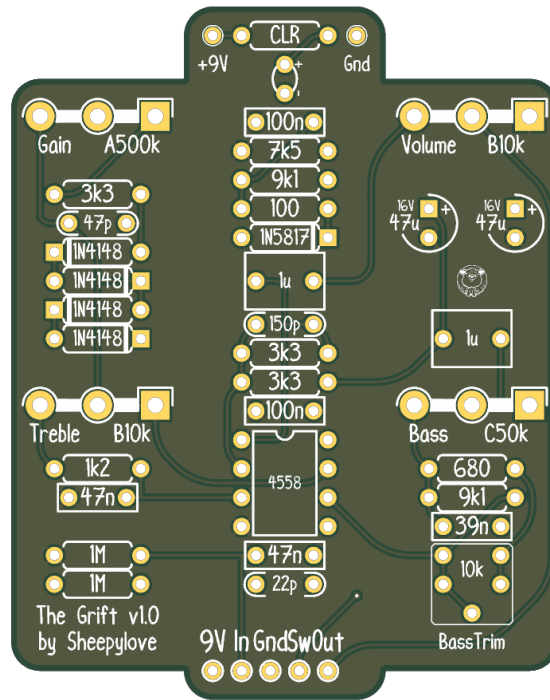
## Bill of Materials

Reference	Value	Quantity	Notes
C1,C2	47u	2	
C3,C4	100n	2	
C5,C10	47n	2	
C6	22p	1	
C7	47p	1	
C8	39n	1	
C9,C12	1u	2	
C11	150p	1	
D1	1N5817	1	
D2	LED	1	
D3-D6	1N4148	4	
IC1	4558	1	
POT1,POT6	B10k	2	
POT2	C50k	1	
POT5	A500k	1	
R1	CLR	1	
R2	100	1	
R3,R8	9k1	2	
R4	7k5	1	
R5,R6	1M	2	
R7,R11,R12	3k3	3	
R9	680	1	
R10	1k2	1	
RV1	10k	1	

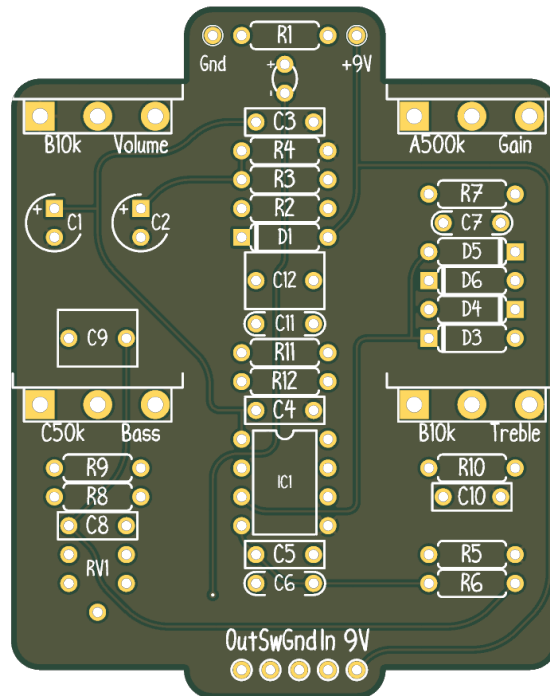
Copyright: Sheepllove.com 2026-02-24

# PCB Images

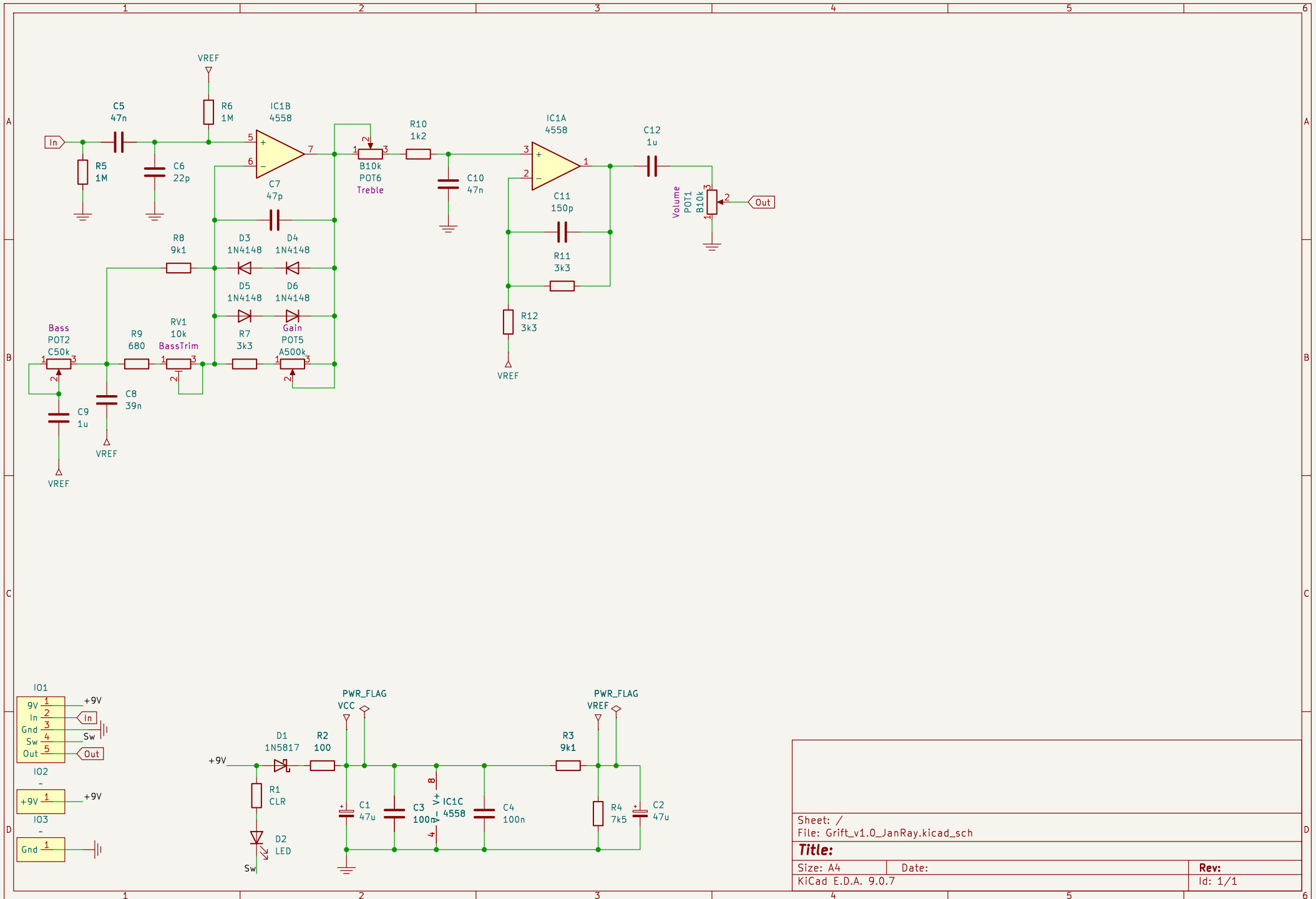
## Top View

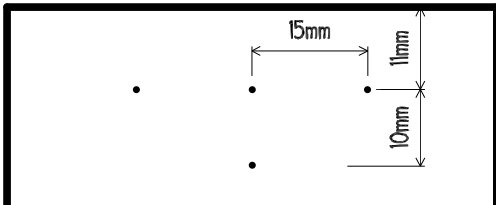


## Bottom View



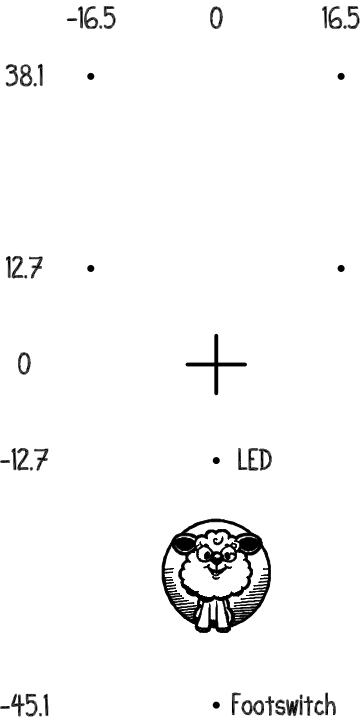
Copyright: Sheepllove.com 2026-02-24





With a sheepy kind of love.

### Sheepylove Drill Template



Print 1:1 scale.  
All units are in millimeters.