

# Sheepylove Old Fashioned Build Doc

Updated: 2026-02-24

It's woolly, it's greasy, it's Sheepylove.

**Disclaimer:** All trademarks and registered trademarks are the property of their respective owners. The company, product, and service names used in this document are for comparative purposes only. Use of these names, logos, and brands does not imply affiliation nor endorsement.

## Sounds like Animals Pedal Major Overdrive.

Another great adaptation by HamishR with an added bass pot!

Copyright: Sheepylove.com 2026-02-24

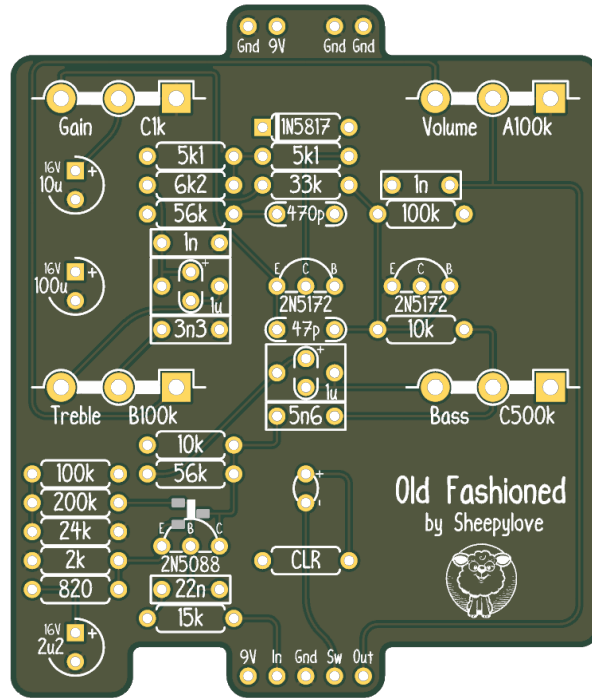
## Bill of Materials

Reference	Value	Quantity	Notes
C1	22n	1	
C2	2u2	1	
C3	5n6	1	
C4,C9	1u	2	
C5	100u	1	
C6	470p	1	
C7	47p	1	
C8	10u	1	
C10,C12	1n	2	
C11	3n3	1	
D1	1N5817	1	
D2	LED	1	
POT1	A100k	1	
POT2	C1k	1	
POT3	C500k	1	
POT4	B100k	1	
Q1	2N5088	1	
Q2,Q3	2N5172	2	NPN low gain (<100hFE)
R1	CLR	1	
R2,R11	100k	2	
R3	24k	1	
R4	200k	1	
R5	15k	1	
R6,R10	10k	2	
R7	2k	1	
R8	820	1	
R9,R12	56k	2	
R13,R14	5k1	2	
R15	33k	1	
R16	6k2	1	

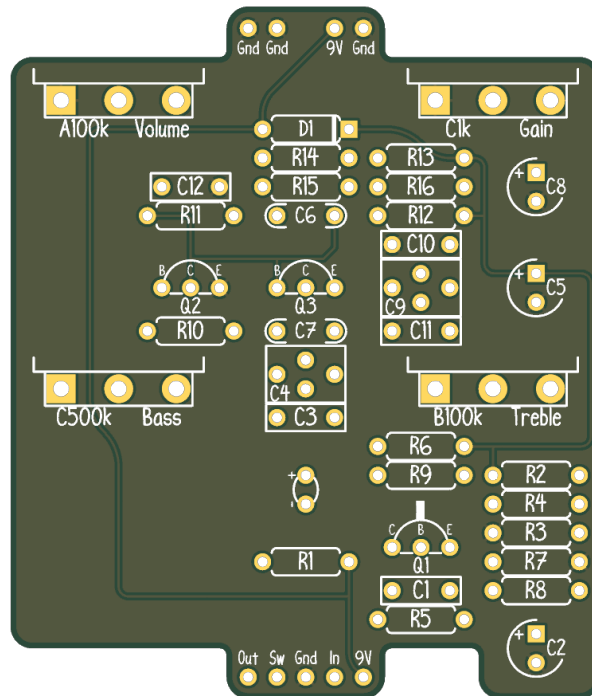
Copyright: Sheepylove.com 2026-02-24

# PCB Images

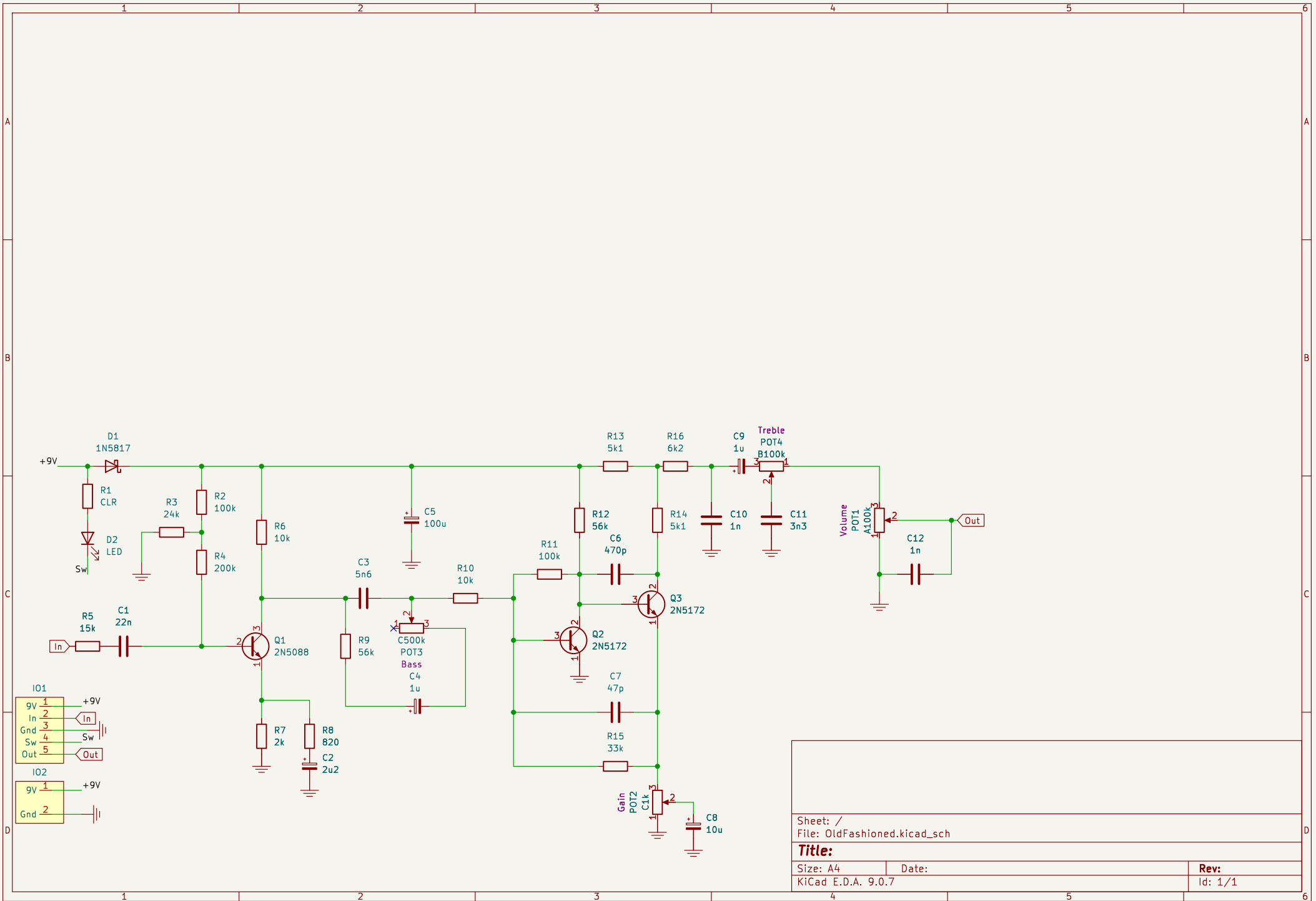
## Top View



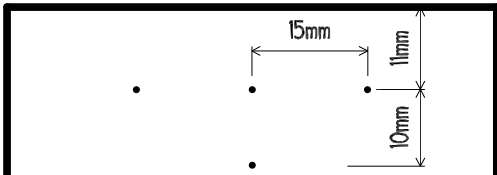
## Bottom View



Copyright: Sheeppylove.com 2026-02-24

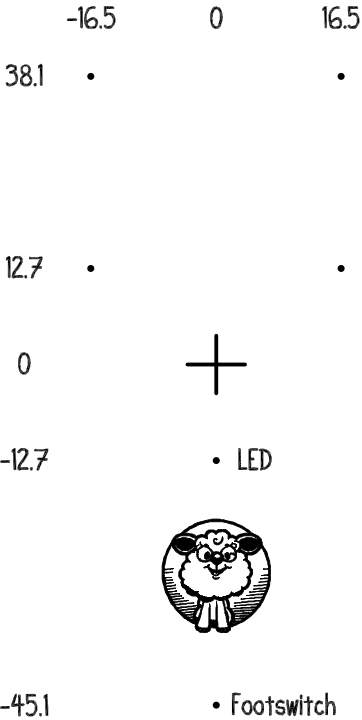


Sheet: /	
File: OldFashioned.kicad_sch	
<b>Title:</b>	
Size: A4	Date:
KiCad E.D.A. 9.0.7	Rev: 1/1



With a sheepy kind of love.

### Sheepylove Drill Template



Print 1:1 scale.  
All units are in millimeters.