

Sheepylove p45 Build Doc

Updated: 2026-02-23

It's woolly, it's greasy, it's Sheepylove.

Disclaimer: All trademarks and registered trademarks are the property of their respective owners. The company, product, and service names used in this document are for comparative purposes only. Use of these names, logos, and brands does not imply affiliation nor endorsement.

Sounds like MXR Phase 45

A 2-stage phaser, it is literally half of a Phase 90 and was released a year after it's bigger brother.

The original had matched 2N5952 transistors, but these are unobtainium so the layout is SMD only. A variety of JFETs will work here, 2SK208-GR (Green) are Idss matched (the colour is the grade) so they're my choice. MMBF5457 is also an option but will need more work since they're not already graded.

Copyright: Sheepylove.com 2026-02-23

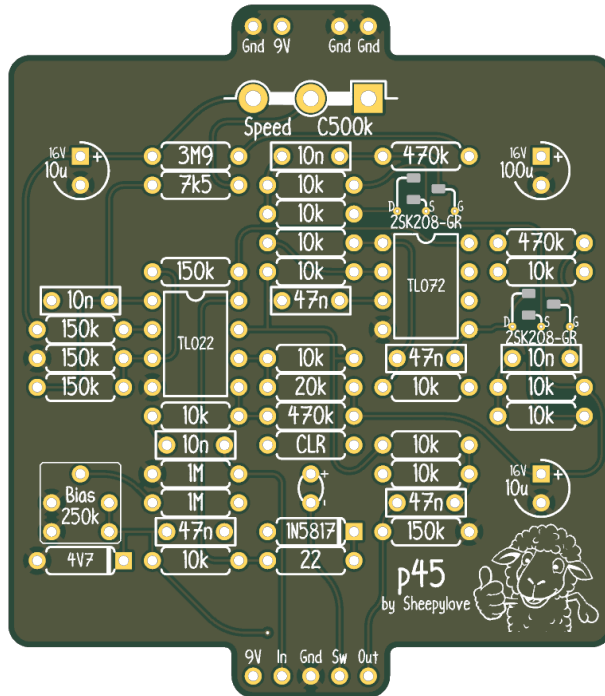
Bill of Materials

Reference	Value	Quantity	Notes
C1	100u	1	
C2,C5-C7	47n	4	
C3,C8	10u	2	
C4,C9-C11	10n	4	
D1	1N5817	1	
D2	LED	1	
D4	4V7	1	
IC1	TL022	1	
IC2	TL072	1	
POT1	C500k	1	
Q1,Q2	2SK208-GR	2	MMBF5457 is alternative.
R1	CLR	1	
R2	22	1	
R3,R7-R14,R22,R23,R25,R27	10k	13	
R4,R5	1M	2	
R6,R24,R26	470k	3	
R15-R19	150k	5	
R20	7k5	1	
R21	20k	1	
R28	3M9	1	
RV1	250k	1	

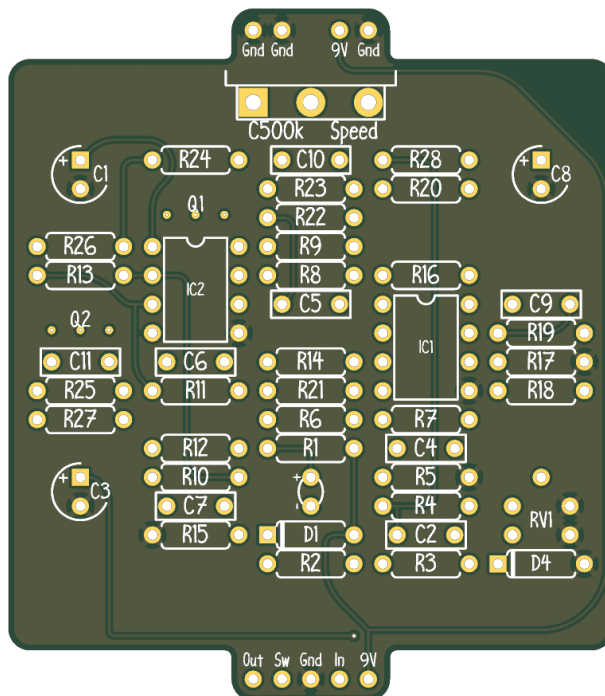
Copyright: Sheepllove.com 2026-02-23

PCB Images

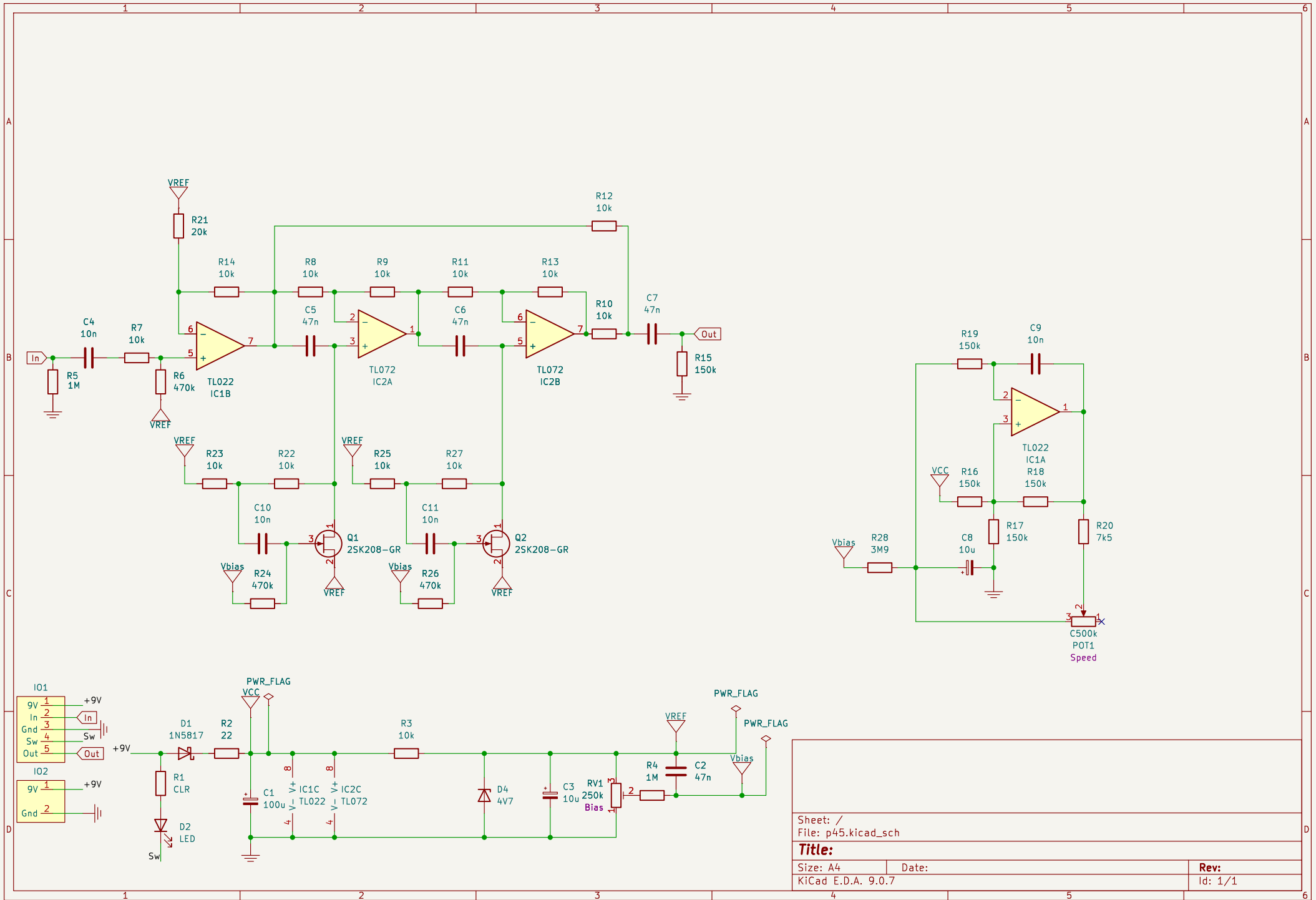
Top View



Bottom View

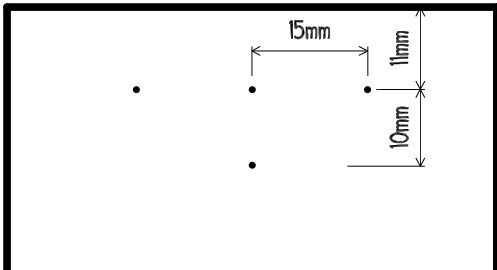


Copyright: Sheeplove.com 2026-02-23



Sheet: /
 File: p45.kicad_sch

Title:		Rev:	
Size: A4	Date:		
KiCad E.D.A. 9.0.7		Id: 1/1	



Sheepylove Drill Template

0

38.1

•

0



-12.7

• LED



-45.1

• Footswitch

All units are in millimeters.