

Sheepylove Uggsy Build Doc

Updated: 2026-02-22

It's woolly, it's greasy, it's Sheepylove.

Disclaimer: All trademarks and registered trademarks are the property of their respective owners. The company, product, and service names used in this document are for comparative purposes only. Use of these names, logos, and brands does not imply affiliation nor endorsement.

Sounds like a simple BJT boost

This is just a simple boost with no flavour added.

It's my boost of choice on it's own or stacking into another. So fresh and clean.

You can use a pot, an internal trim pot, or a set resistor. Great for adding a boost to an OD!

Copyright: Sheepylove.com 2026-02-22

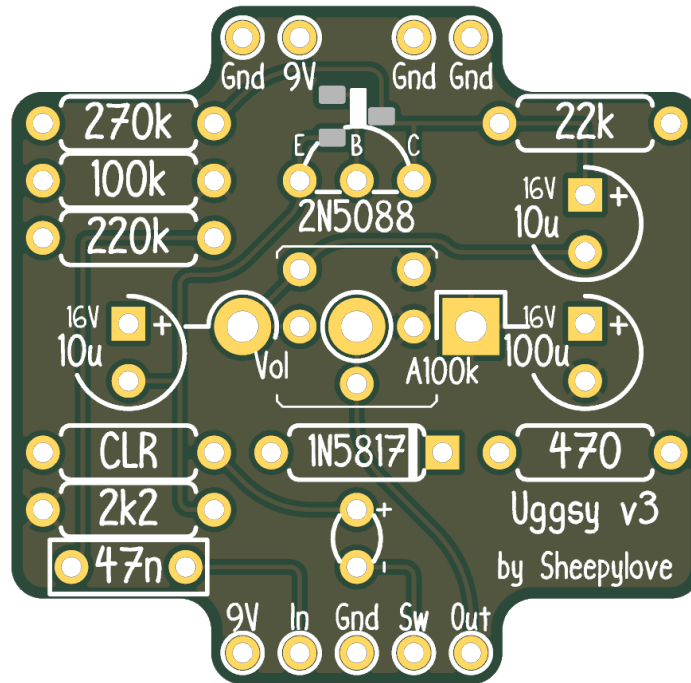
Bill of Materials

Reference	Value	Quantity	Notes
C1	100u	1	
C2	47n	1	
C3,C4	10u	2	
D1	1N5817	1	
D2	LED	1	
POT2	A100k	1	
Q1	2N5088	1	
R1	CLR	1	
R2	470	1	
R3	220k	1	
R4	100k	1	
R5	2k2	1	
R6	270k	1	
R7	22k	1	

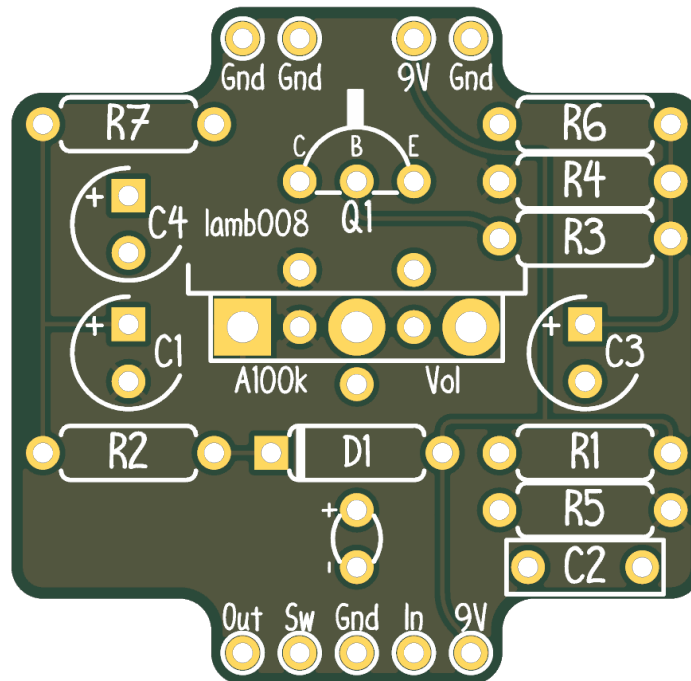
Copyright: Sheepllove.com 2026-02-22

PCB Images

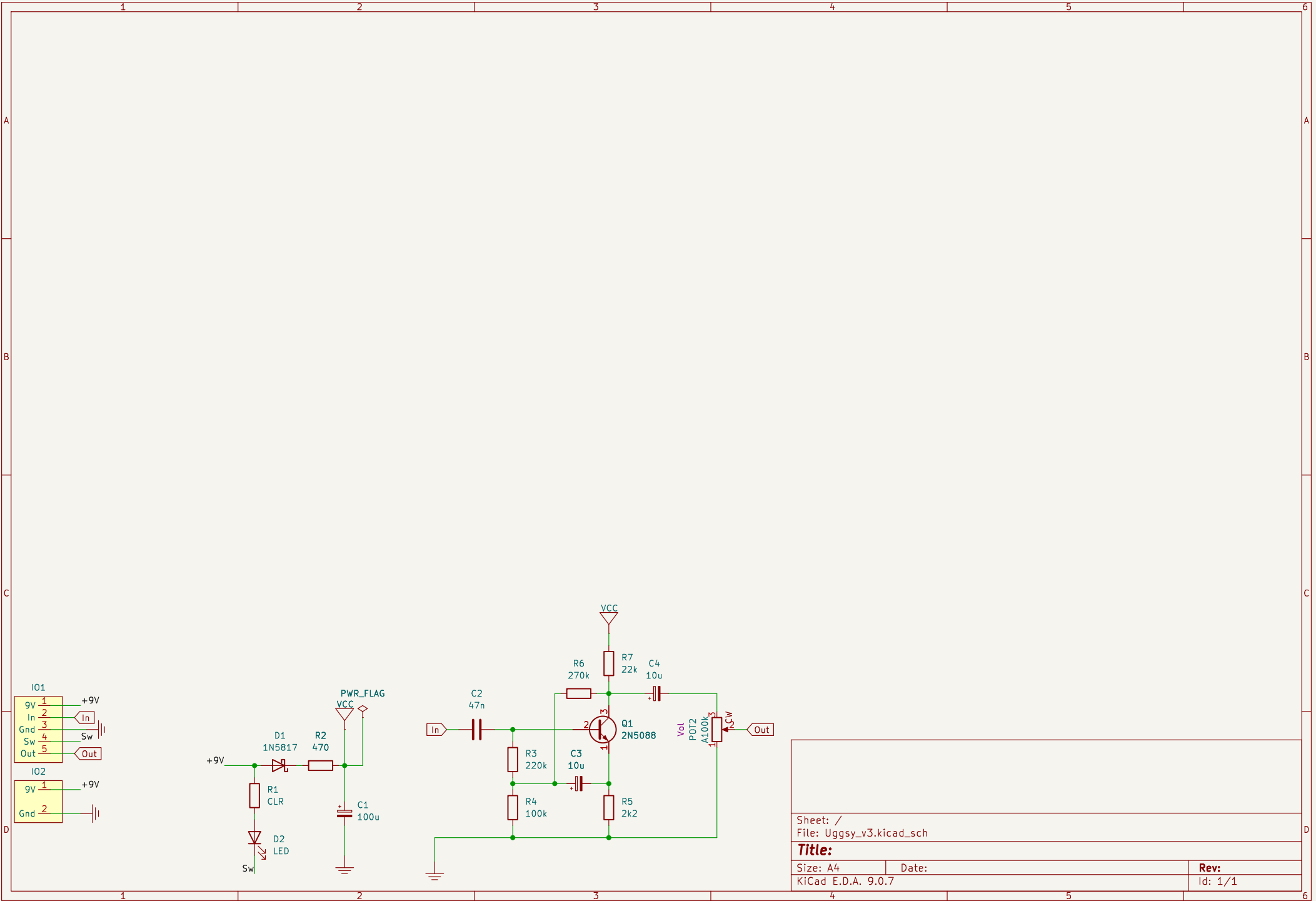
Top View



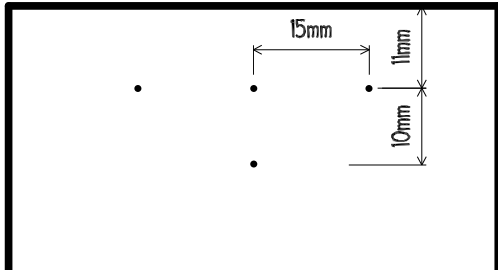
Bottom View



Copyright: Sheepylove.com 2026-02-22



Sheet: /		Date:	
File: Uggsy_v3.kicad_sch		Rev:	
Size: A4	KiCad E.D.A. 9.0.7		Id: 1/1



Sheepylove Drill Template

0

12.7

•

0



-12.7

• LED



-45.1

• Footswitch

All units are in millimeters.