

Sheepllove 0D79 Build Doc

Updated: 2026-02-22

It's woolly, it's greasy, it's Sheepllove.

Disclaimer: All trademarks and registered trademarks are the property of their respective owners. The company, product, and service names used in this document are for comparative purposes only. Use of these names, logos, and brands does not imply affiliation nor endorsement.

Sounds like Ibanez TS-808

This is based on the original Tube Screamer which came out in 1979. It first had 2 dual op-amps, before moving to transistors for the input and output (likely for economic reasons). You can decide if there's a tonal difference..

Copyright: Sheepllove.com 2026-02-22

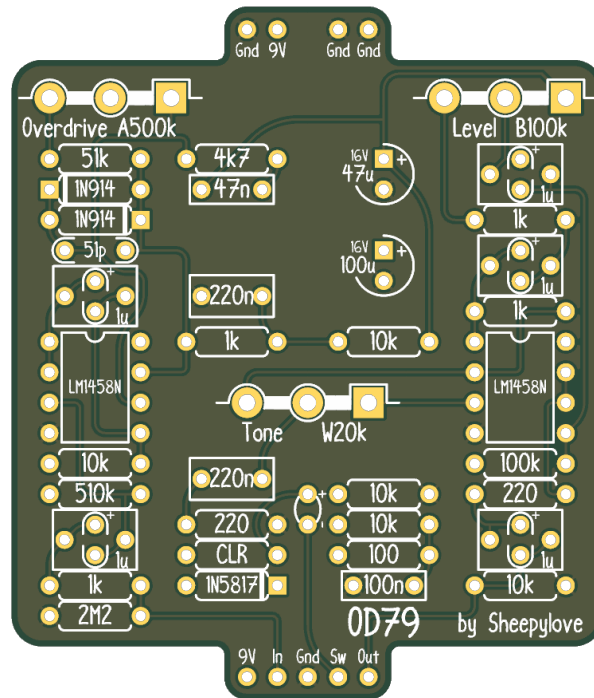
Bill of Materials

Reference	Value	Quantity	Notes
C1	100u	1	
C2	47u	1	
C3	100n	1	
C4,C5,C9,C11,C12	1u	5	
C6	51p	1	
C7	47n	1	
C8,C10	220n	2	
D1	1N5817	1	
D2	LED	1	
D3,D4	1N914	2	
IC1,IC2	LM1458N	2	RC4558, TL072, any dual op-amp
POT1	B100k	1	
POT2	A500k	1	
POT3	W20k	1	
R1	CLR	1	
R2	100	1	
R3,R4,R8,R12,R18	10k	5	
R5	2M2	1	
R6,R11,R13,R15	1k	4	
R7	510k	1	
R9	51k	1	
R10	4k7	1	
R14,R17	220	2	
R16	100k	1	

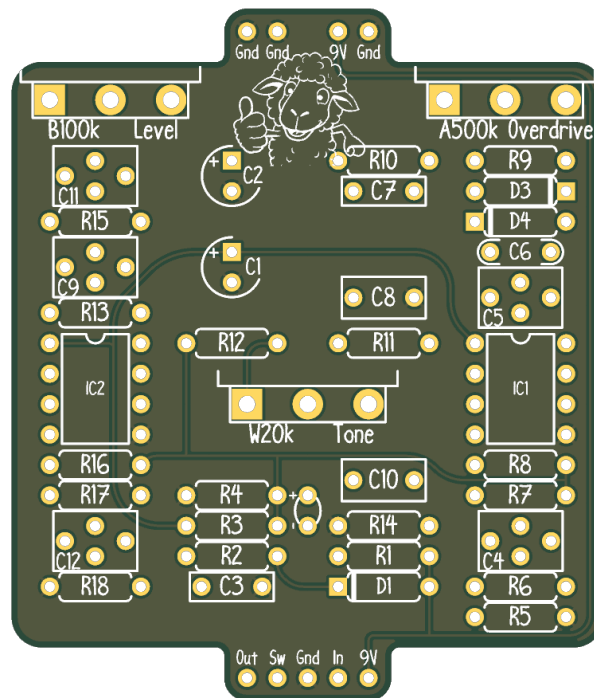
Copyright: Sheepylove.com 2026-02-22

PCB Images

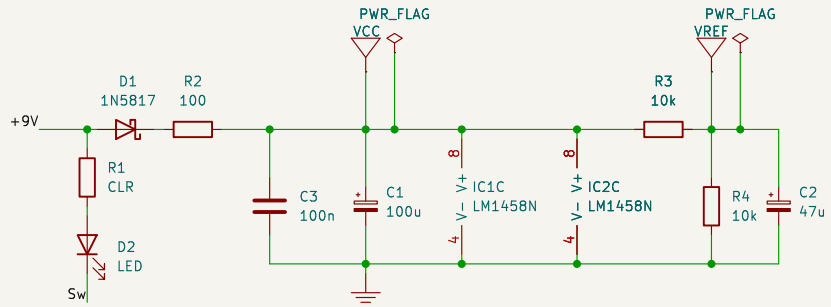
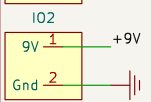
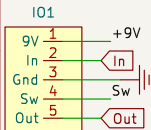
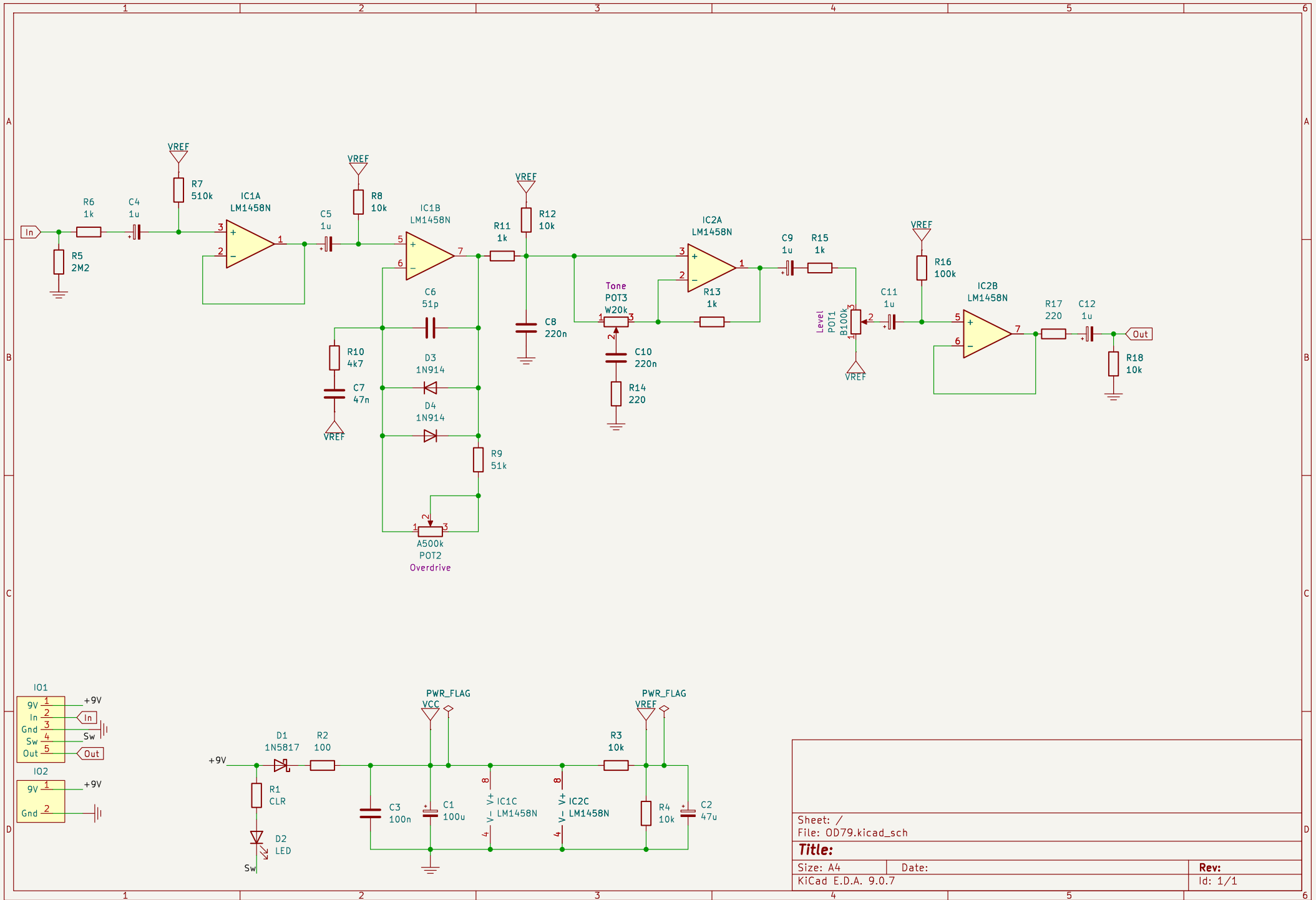
Top View



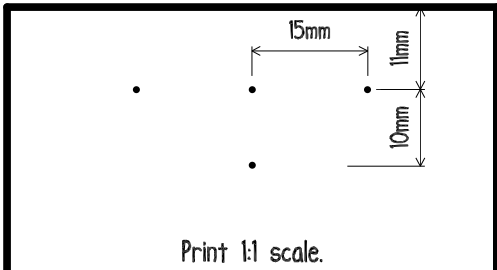
Bottom View



Copyright: Sheepllove.com 2026-02-22



Sheet: /	
File: OD79.kicad_sch	
Title:	
Size: A4	Date:
KiCad E.D.A. 9.0.7	Rev: 1/1



Sheepylove Drill Template

-16.5 0 16.5
 38.1 • •

12.7 •

0 +

-12.7 • LED



-45.1 • Footswitch

Print 1:1 scale.
 All units are in millimeters.