

Sheepylove OD87 Build Doc

Updated: 2026-02-21

It's woolly, it's greasy, it's Sheepylove.

Disclaimer: All trademarks and registered trademarks are the property of their respective owners. The company, product, and service names used in this document are for comparative purposes only. Use of these names, logos, and brands does not imply affiliation nor endorsement.

Sounds like Yamaha OD-10MII

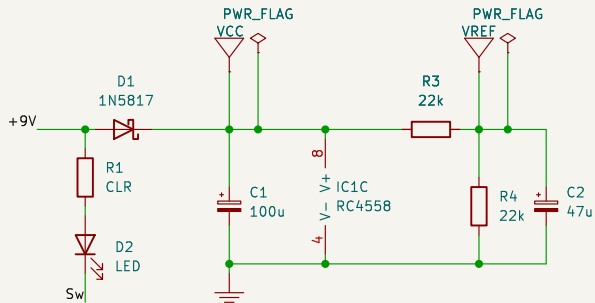
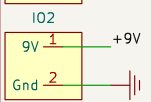
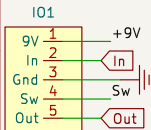
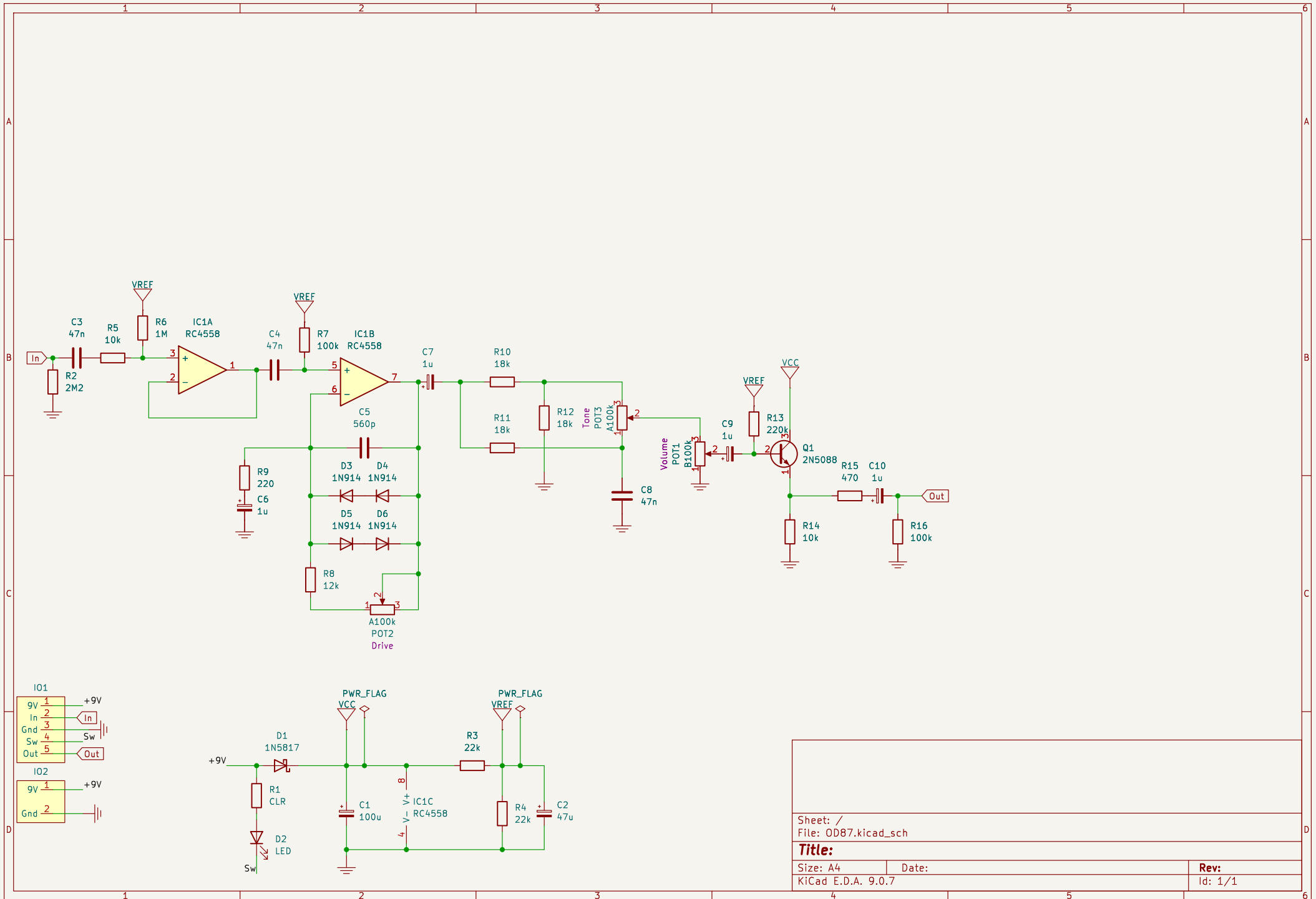
Another contender from Japan, the OD-10MII is a TS with a BMP tone stack, so it hits the mids less than a TS.

Copyright: Sheepylove.com 2026-02-21

Bill of Materials

Reference	Value	Quantity	Notes
C1	100u	1	
C2	47u	1	
C3,C4,C8	47n	3	
C5	560p	1	
C6,C7,C9,C10	1u	4	
D1	1N5817	1	
D2	LED	1	
D3-D6	1N914	4	
IC1	RC4558	1	
POT1	B100k	1	
POT2,POT3	A100k	2	
Q1	2N5088	1	
R1	CLR	1	
R2	2M2	1	
R3,R4	22k	2	
R5,R14	10k	2	
R6	1M	1	
R7,R16	100k	2	
R8	12k	1	
R9	220	1	
R10-R12	18k	3	
R13	220k	1	
R15	470	1	

Copyright: Sheepllove.com 2026-02-21



Sheet: /
File: OD87.kicad_sch

Title:

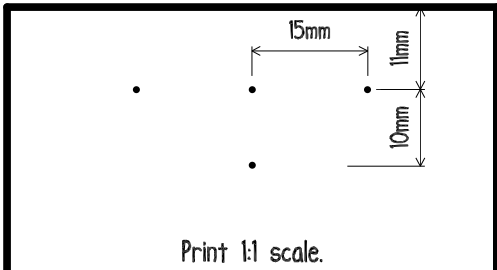
Size: A4

Date:

Rev:

KiCad E.D.A. 9.0.7

Id: 1/1



Sheepylove Drill Template

-16.5 0 16.5
 38.1 • •

12.7 •

0 +

-12.7 • LED



-45.1 • Footswitch

Print 1:1 scale.
 All units are in millimeters.