

# Sheepylove OD77 Build Doc

Updated: 2026-02-18

It's woolly, it's greasy, it's Sheepylove.

**Disclaimer:** All trademarks and registered trademarks are the property of their respective owners. The company, product, and service names used in this document are for comparative purposes only. Use of these names, logos, and brands does not imply affiliation nor endorsement.

## Sounds like the original BOSS OD-1

The original overdrive, evolved from the Distortion+, it took out the distortion hard clipping and added overdrive soft clipping in the op-amp feedback loop.

This is the original, quad op-amp version. Whether that makes a difference or not is up to you. Cork sniffers can search for a RC3403 or NJM3403, but it sounds great with a TL074 or equivalent.

Copyright: Sheepylove.com 2026-02-18

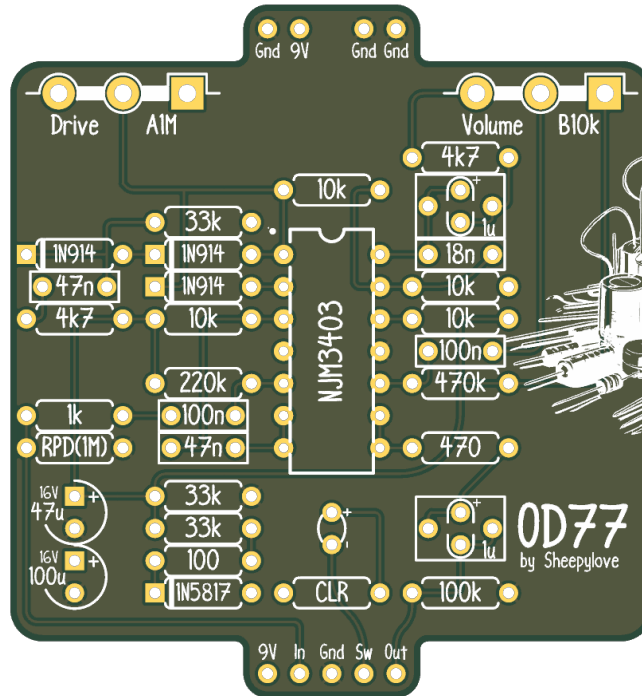
## Bill of Materials

| Reference  | Value   | Quantity | Notes                                     |
|------------|---------|----------|---|
| C1         | 100u    | 1        |   |
| C2         | 47u     | 1        |   |
| C3,C8      | 100n    | 2        |   |
| C4,C5      | 47n     | 2        |   |
| C6         | 18n     | 1        |   |
| C7,C9      | 1u      | 2        |   |
| D1         | 1N5817  | 1        |   |
| D2         | LED     | 1        |   |
| D3-D5      | 1N914   | 3        |   |
| IC1        | NJM3403 | 1        | Any quad op-amp should work. Try a TL074. |
| POT1       | B10k    | 1        |   |
| POT2       | A1M     | 1        |   |
| R1         | CLR     | 1        |   |
| R2         | 100     | 1        |   |
| R3,R4,R9   | 33k     | 3        |   |
| R5         | RPD(1M) | 1        |   |
| R6         | 1k      | 1        |   |
| R7         | 220k    | 1        |   |
| R8,R11-R13 | 10k     | 4        |   |
| R10,R14    | 4k7     | 2        |   |
| R15        | 470k    | 1        |   |
| R16        | 470     | 1        |   |
| R17        | 100k    | 1        |   |

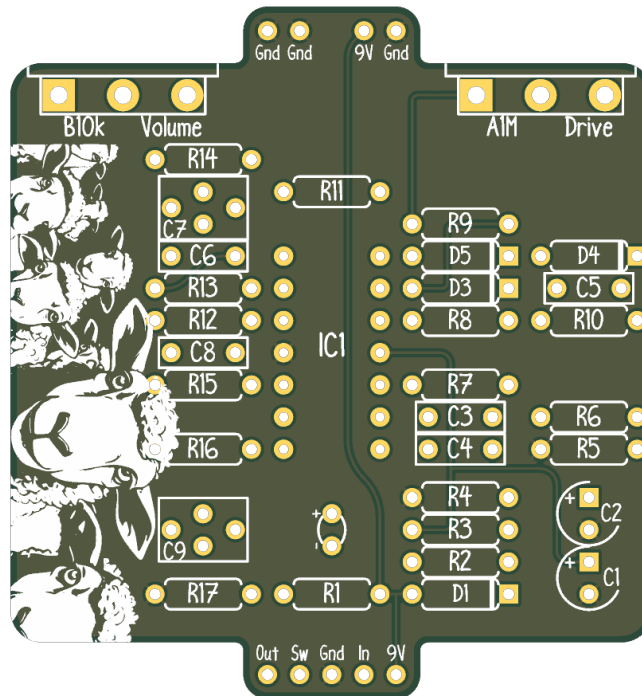
Copyright: Sheepylove.com 2026-02-18

# PCB Images

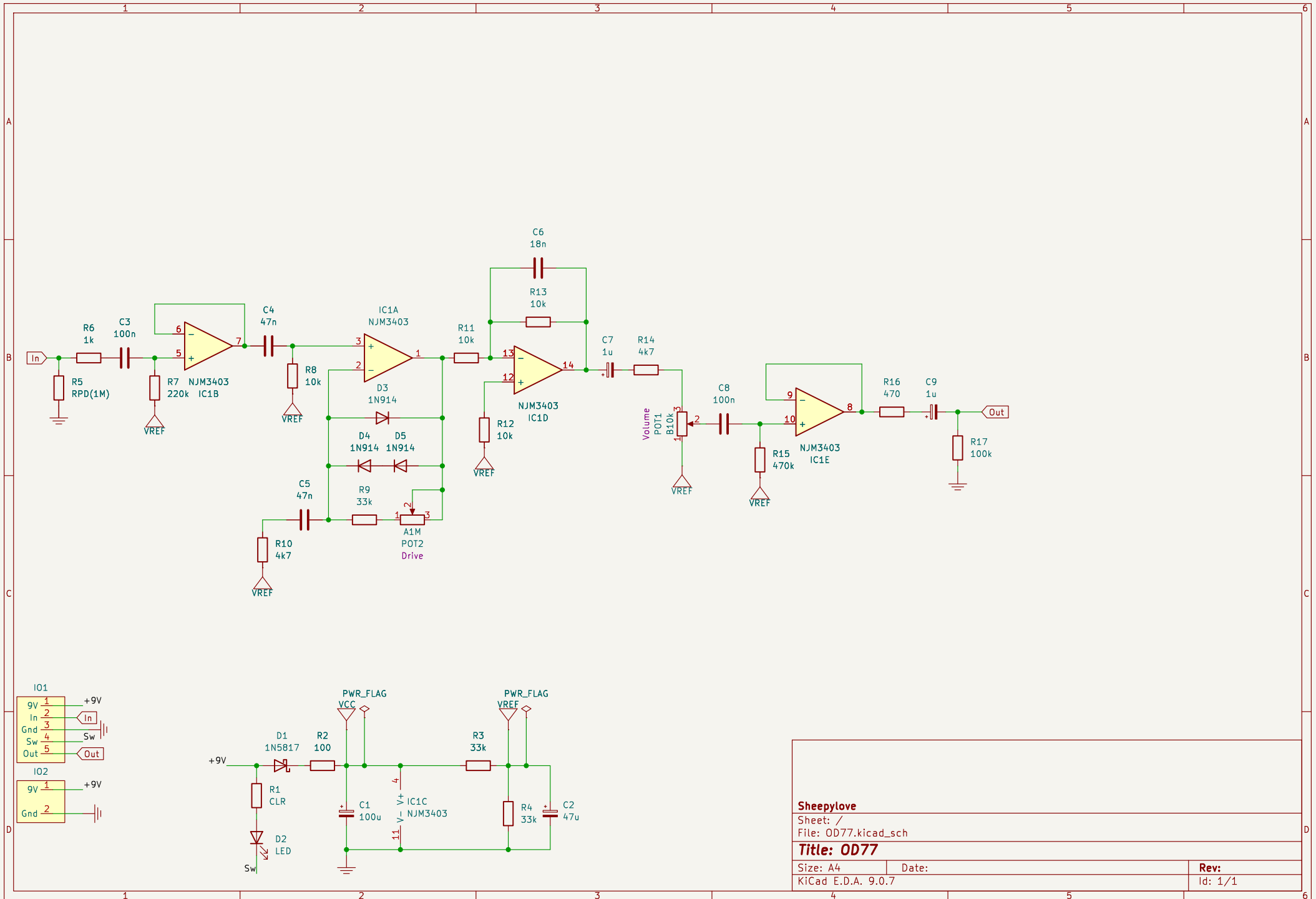
## Top View



## Bottom View



Copyright: Sheeplove.com 2026-02-18



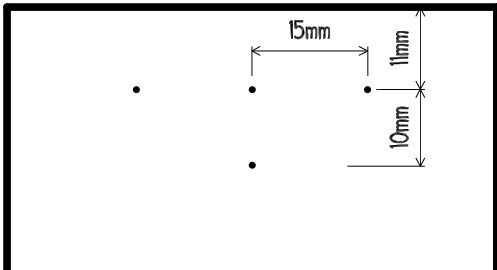
Sheepylove

Sheet: /  
File: OD77.kicad\_sch

Title: OD77

Size: A4 Date:  
KiCad E.D.A. 9.0.7

Rev:  
Id: 1/1



### Sheepylove Drill Template

-16.5      0      16.5  
 38.1   •                      •

0                      +  
 -12.7                      • LED



-45.1                      • Footswitch

All units are in millimeters.